

Dell PowerEdge Rack Enclosure

Installation Guide

Guide d'installation

Installationsanleitung

設置ガイド

Guía de instalación

Dell PowerEdge Rack
Enclosure
Installation Guide

Notes, Cautions, and Warnings



NOTE: A NOTE indicates important information that helps you make better use of your computer.



CAUTION: A CAUTION indicates potential damage to hardware or loss of data if instructions are not followed.



WARNING: A WARNING indicates a potential for property damage, personal injury, or death.

Information in this publication is subject to change without notice.

© 2010 Dell Inc. All rights reserved.

Reproduction of these materials in any manner whatsoever without the written permission of Dell Inc. is strictly forbidden.

Trademarks used in this text: Dell™, the DELL logo, and PowerEdge™ are trademarks of Dell Inc.

Other trademarks and trade names may be used in this publication to refer to either the entities claiming the marks and names or their products. Dell Inc. disclaims any proprietary interest in trademarks and trade names other than its own.

Contents

Safety Instructions	5
SAFETY: Rack Mounting of Systems	5
Rack Installation Instructions	5
Rack Specifications	6
Before You Begin	6
Installation Tasks	7
Recommended Tools and Supplies	7
Removing and Replacing the Rack Doors	8
Removing and Replacing the Side Panels	12
Reversing the Front Door (Optional)	16
Securing the Rack Leveling Feet	23
Installing the Rack Stabilizer Feet	24
Adjusting the Rack Posts (Optional)	27
Routing Cables	28
Coupling Two Racks	32

Safety Instructions

Use the following safety guidelines to ensure your own personal safety and to help protect your system and working environment from potential damage. For complete safety and regulatory information, see the safety instructions that shipped with your system. Warranty information might be included in this document or as a separate document.

SAFETY: Rack Mounting of Systems

Observe the following precautions for rack stability and safety. Also refer to the rack installation documentation accompanying the system and the rack for specific caution statements and procedures.

Systems are considered to be components in a rack. "Component" refers to any system as well as to various peripherals or supporting hardware.

CAUTION: Instructions for Rack-Mounted Systems:

- Your rack kit has been approved only for the rack cabinet provided. It is your responsibility to ensure that installation of the equipment into any other rack complies with all applicable standards. Dell disclaims all liability and warranties with respect to combinations of equipment with any other rack.
- Before installing your equipment in a rack, install all front and side stabilizers. Failure to install stabilizers can allow the rack to tip over.
- Always load from the bottom up, and load the heaviest items first.
- Do not overload the AC power supply branch circuit that provides power to the rack.
- Do not stand or step on any components in the rack.

Rack Installation Instructions

This installation guide provides instructions for trained service technicians installing a rack enclosure. Information includes assembling the rack, coupling two racks, and routing cables through the rack. The rack can be installed using the recommended tools.

Before attempting this installation, you should read through this entire procedure carefully.

Rack Specifications



CAUTION: The rack meets the specifications of American National Standards Institute (ANSI), Consumer Electronics Association (CEA) Standard EIA/CEA-310-E, International Electrotechnical Commission (IEC) 60297-3-100, and Deutsche Industrie Norm (DIN) 41494.

Before You Begin



WARNING: Before you begin installing your rack, carefully read "Important Safety Information," as well as the safety instructions that came with the rack.



WARNING: When installing multiple systems in a rack, complete all of the procedures for the current system before attempting to install the next system.



WARNING: Rack cabinets can be extremely heavy and move easily on the casters. The cabinet has no brakes. Use extreme caution while moving the rack cabinet. Retract the leveling feet when relocating the rack cabinet. Avoid long or steep inclines, rough surfaces, or ramps where loss of cabinet control may occur. Extend the leveling feet for support and to prevent the cabinet from rolling.



WARNING: Avoid rolling the rack cabinet over rough surfaces. Hard impacts to the casters could cause them to break, and the rack could become unstable and may tip over.



WARNING: Do not attempt to move your rack with components installed. If you move a fully loaded rack on a slightly uneven surface, the rack may become unstable and may tip over.

Important Safety Information

Observe the safety precautions in the following subsections when installing your system in the rack.



WARNING: You must strictly follow the procedures in this document to protect yourself as well as others who may be involved. Your system may be very large and heavy, and proper preparation and planning are important to prevent injury to yourself and to others. This becomes increasingly important when systems are installed high up in the rack.

Rack Stabilizer Feet



WARNING: Before installing systems in a rack, install front and side stabilizers on stand-alone racks or the front stabilizer on racks joined to other racks. Failure to install stabilizers accordingly before installing systems in a rack could cause the rack to tip over, potentially resulting in bodily injury under certain circumstances. Therefore, always install the stabilizer(s) before installing components in the rack.



WARNING: After installing systems in a rack, never pull more than one system out of the rack on its slide assemblies at one time. The weight of more than one extended system could cause the rack to tip over and cause injury.

The stabilizer feet help prevent the rack from tipping over when a system or other component is pulled out of the rack with the slide assemblies fully extended.

Installation Tasks

Installing a rack cabinet involves the following tasks:

- 1 Removing and replacing the rack doors
- 2 Removing and replacing the side panels
- 3 Reversing the front door and badge (optional)
- 4 Securing the leveling feet
- 5 Installing the stabilizer feet
- 6 Adjusting the rack posts (optional)
- 7 Routing cables through the rack
- 8 Coupling two racks (optional)

Recommended Tools and Supplies

You may need the following tools and supplies to install the rack:

- #2 Phillips screwdriver
- Flat head screwdriver
- 12-mm wrench

- Needle-nose pliers
- 4-mm Allen wrench (if you want to reverse the direction that the front door opens)
- Keys to the rack doors and side panels
- 13-mm wrench (for rack removal from pallet)
- 17-mm wrench (for rack removal from pallet)

Removing and Replacing the Rack Doors



WARNING: Because of the size and weight of the rack cabinet doors, never attempt to remove or install them by yourself.



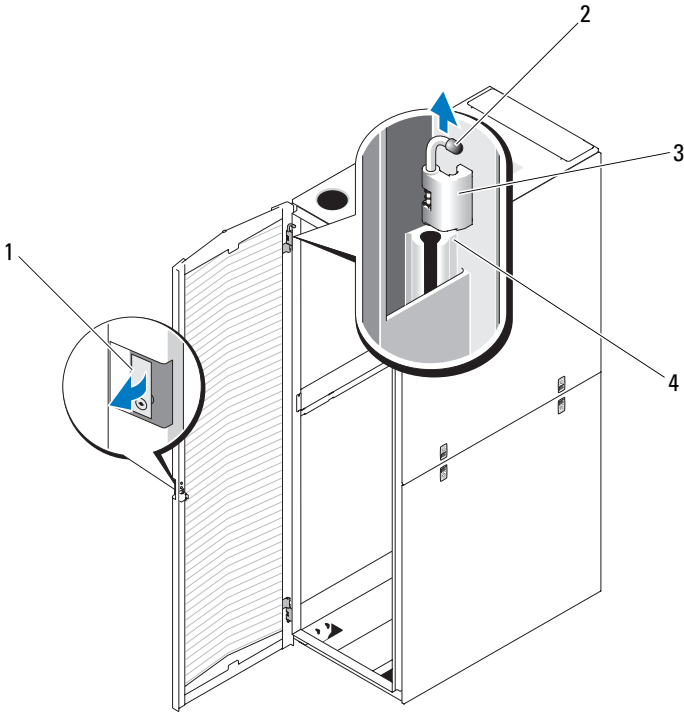
WARNING: When storing the doors, lay the doors flat so they do not fall over and accidentally injure someone.

Removing the Front Door

- 1 Pull the door latch and open the front door all the way (see Figure 1-1).
- 2 While holding the door, pull the hinge pin upward so that it clears the door's hinge-pin housing (see Figure 1-1).

The hinge pin's retention clip prevents the hinge from being pulled out of the hinge body.

Figure 1-1. Removing the Front Door



- | | | | |
|---|------------|---|-------------------|
| 1 | door latch | 2 | hinge pin |
| 3 | hinge body | 4 | hinge-pin housing |

3 While holding the hinge pin out of the door's hinge-pin housing, pull the door slightly away from the rack so that the door clears the hinge body.

4 Release the hinge pin.

5 Lift the door upward so that the door clears the bottom hinge post.

! **WARNING: Due to the size and weight of the door, it is recommended that you lay the removed door flat with its outer surface facing upward.**

6 Lay the door in a safe location with the door's outer surface facing upward to help prevent damage to the door's badge and cosmetic coating.

Replacing the Front Door

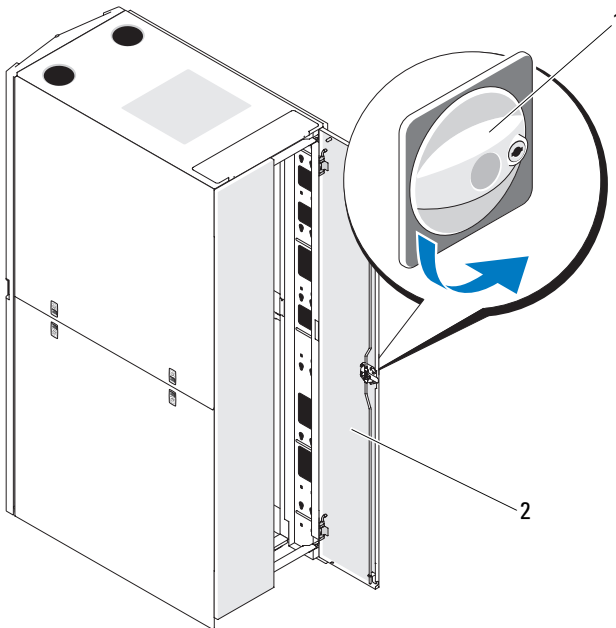
To replace the front door, perform the steps for removal in reverse.

Opening and Removing the Back Doors

⚠ WARNING: Because of the size and weight of the rack cabinet doors, never attempt to remove or install them by yourself.

- 1 Turn the door handle and open the back doors (see Figure 1-2).

Figure 1-2. Opening the Back Doors



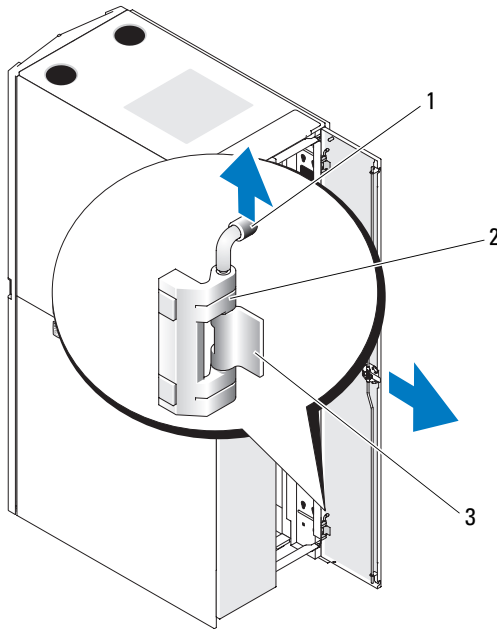
1 door handle

2 back door (2)

- 2 Remove the right back door.
 - a While supporting the door, pull the pin for the top hinge out of the door's hinge-pin housing (see Figure 1-3).

You will hear a click sound as you pull the pin out of the door's hinge-pin housing. The hinge pins are designed to prevent them from being pulled out of the hinge body.
 - b Repeat step a for the bottom hinge.
 - c Pull the door away from the rack.

Figure 1-3. Removing the Back Doors



- | | | | |
|---|-------------------|---|------------|
| 1 | hinge pin | 2 | hinge body |
| 3 | hinge-pin housing | | |

⚠ WARNING: Due to the size and weight of the door, it is recommended that you lay the removed door flat with its outer surface facing upward.

- d Lay the door in a safe location with the door's outer surface facing upward.
Laying the door flat with the outer surface facing upward helps prevent damage to its cosmetic coating.
- e Repeat step a through step d for the left back door.

Replacing the Back Doors

To replace the back doors, perform the steps for removal in reverse.

Removing and Replacing the Side Panels



CAUTION: For stand-alone racks, reinstalling the side panels is necessary before running systems in the rack to ensure proper cooling within the rack.



NOTE: You must remove the lower side panels in order to install the side stabilizer feet.



NOTE: Although removing the side panels is not mandatory for installing systems in a rack, having the sides open makes it easier to install slide assemblies and support rails and to reverse the direction that the front door opens.

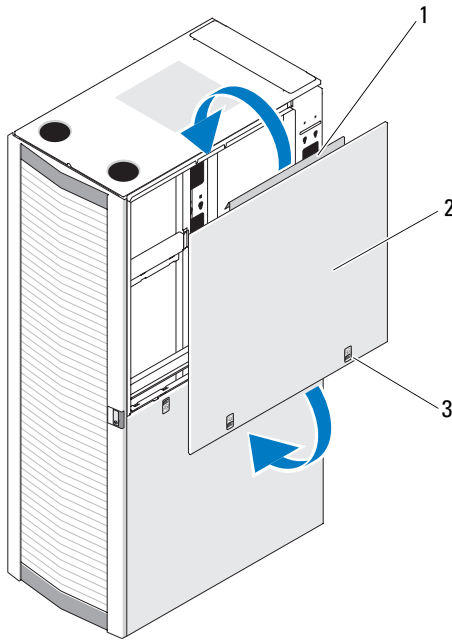
Removing the Upper Side Panels

- 1 Push both latches up and swing the bottom end of the panel away from the rack (see Figure 1-4).
- 2 Grasp firmly on each side of the panel.
- 3 Lift the panel upward until the panel lip clears the top of the rack.
- 4 Lay the panel in a safe location with the panel's outer surface facing upward to help prevent damage to its cosmetic coating.
- 5 Repeat step 1 through step 4 for the other upper side panel.

Replacing the Upper Side Panels

- 1 Lift the upper side panel up onto the rack, hooking the panel lip over the top of the rack (see Figure 1-4).
- 2 Swing the bottom of the panel downward onto the rack.
- 3 Press the panel into the rack until both latches lock into place.

Figure 1-4. Replacing the Upper Side Panels



- 1 panel lip
- 2 upper side panel (2)
- 3 latches (2)

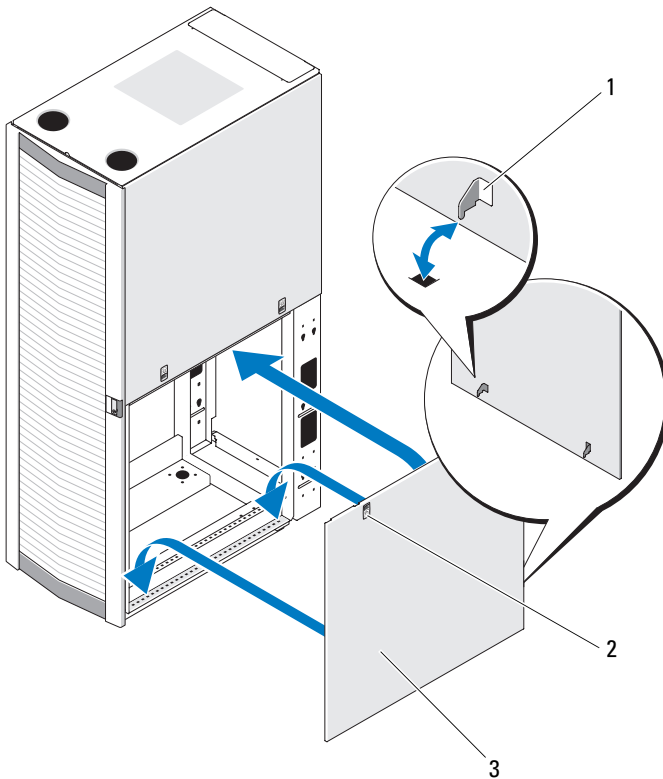
Removing the Lower Side Panels

- 1 Pull both latches down and allow the side panel to swing outward slightly at the top.
- 2 Firmly grasp both sides of the panel.
- 3 Lift the panel upward until the panel hooks clear the holes in the bottom of the rack frame.
- 4 Place the panel in a safe location with the panel's outer surface facing upward to help prevent damage to its cosmetic coating.
- 5 Repeat step 1 through step 4 for the other lower side panel.

Replacing the Lower Side Panels

- 1 Lower the panel into the rack, inserting the back panel hook into the back hole in the bottom of the rack frame and the front hook into the corresponding hole in the front of the rack frame (see Figure 1-5).
- 2 Swing the top end of the panel towards the rack.
- 3 Press the panel into the rack until both latches lock into place.

Figure 1-5. Replacing the Lower Side Panels



1 panel hook (2)

2 latch (2)

3 lower side panel (2)



NOTE: The following procedures apply to extra-deep racks only.

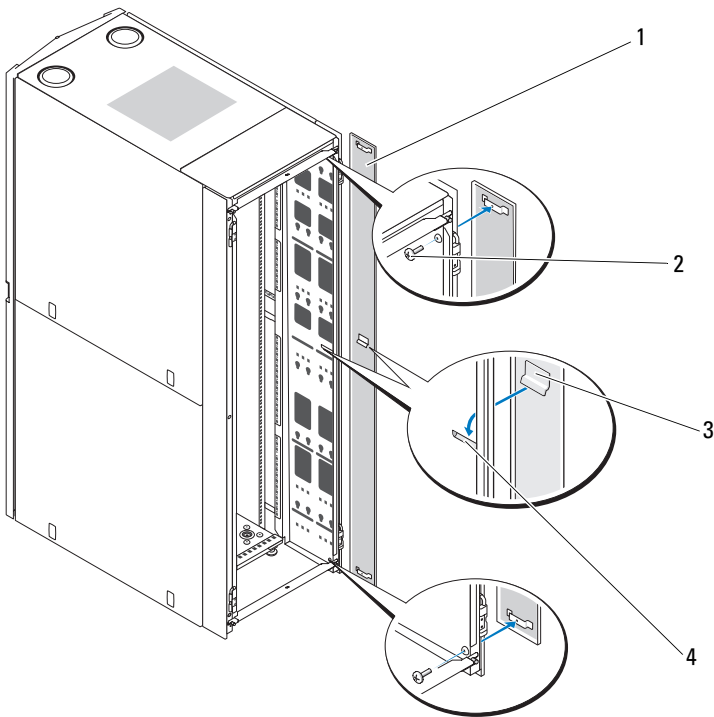
Removing the Rear Side Panel

- 1 Remove the screws (2) holding the rear side panel in place from inside the rack.
- 2 Lift the rear side panel up and away from the rack.

Replacing the Rear Side Panel

- 1 Insert the alignment bracket located in the middle of the rear panel into the slot on the rack PDU tray.
- 2 Install screws at the top and bottom to secure the rear side panel.

Figure 1-6. Replacing the Rear Side Panels



- 1 rear side panel
- 3 alignment bracket

- 2 screw (2)
- 4 slot in PDU tray

Reversing the Front Door (Optional)

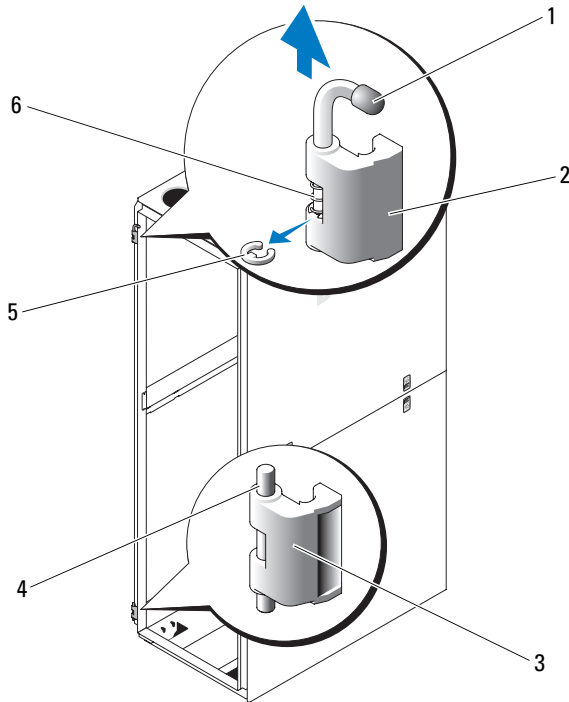


NOTE: Use a 4-mm Allen wrench to remove the front-door hinge bodies from the rack and reinstall them on the side opposite their original positions. You might need a stepladder in order to access the Allen bolt that secures the top hinge body to the rack.

To reverse the direction that the front door opens, complete the following steps:

- 1** Remove the front door (see "Removing the Front Door" on page 8).
- 2** Remove the side panels (see "Removing and Replacing the Side Panels" on page 12).
- 3** Reverse the top hinge body.
 - a** Pull the hinge pin slightly upward so that you can access the retention clip (see Figure 1-7).
 - b** Using the needle-nose pliers, remove the retention clip, and slide the hinge pin out of the hinge body.

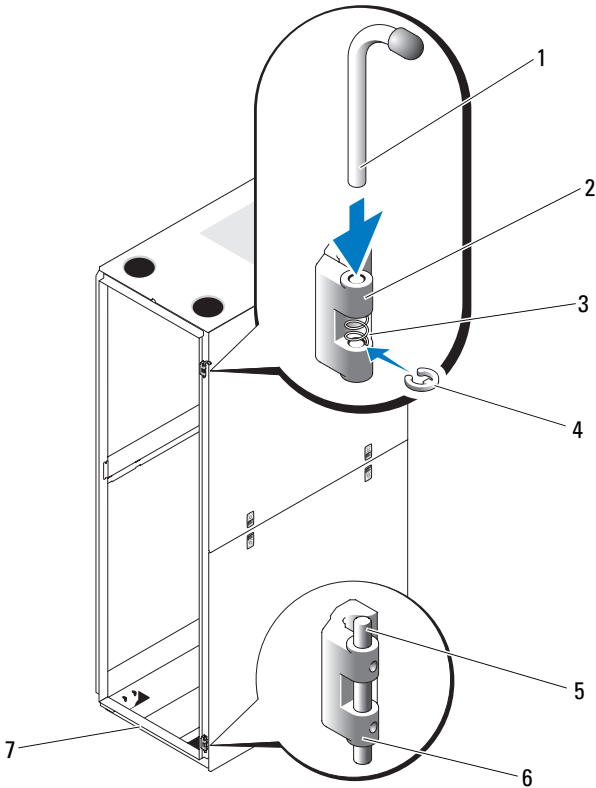
Figure 1-7. Removing the Front-Door Hinges



- | | | | |
|---|----------------|---|-------------|
| 1 | hinge pin | 2 | top hinge |
| 3 | bottom hinge | 4 | hinge post |
| 5 | retention clip | 6 | body spring |

- c** Remove the hinge spring from the hinge body.
- d** Place the hinge pin, retention clip, and spring in a safe location.
- e** Using the 4-mm Allen wrench, remove the Allen bolts that secure the hinge body to the rack, and place the bolts with the hinge pin, retention clip, and body spring.
- f** Rotate the hinge body 180 degrees so that the hinge-pin holes are now on the right side of the hinge body (see Figure 1-8).

Figure 1-8. Reversing the Top and Bottom Hinges

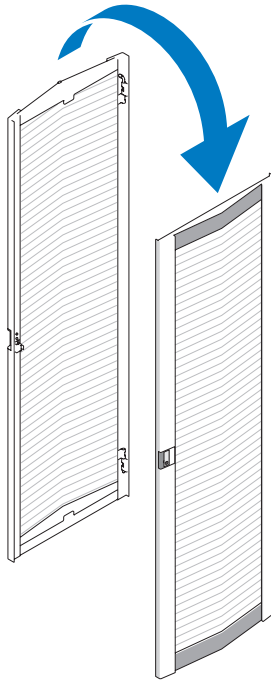


- | | | | |
|---|---------------|---|-------------------|
| 1 | hinge pin | 2 | top hinge body |
| 3 | spring | 4 | retention clip |
| 5 | hinge post | 6 | bottom hinge body |
| 7 | front of rack | | |

- g** Locate the top bolt holes in the right side of the rack, and fasten the hinge body to the right side of the rack with the Allen bolts.
- h** Insert the spring between the top and bottom hinge-pin holes in the bottom hinge body.

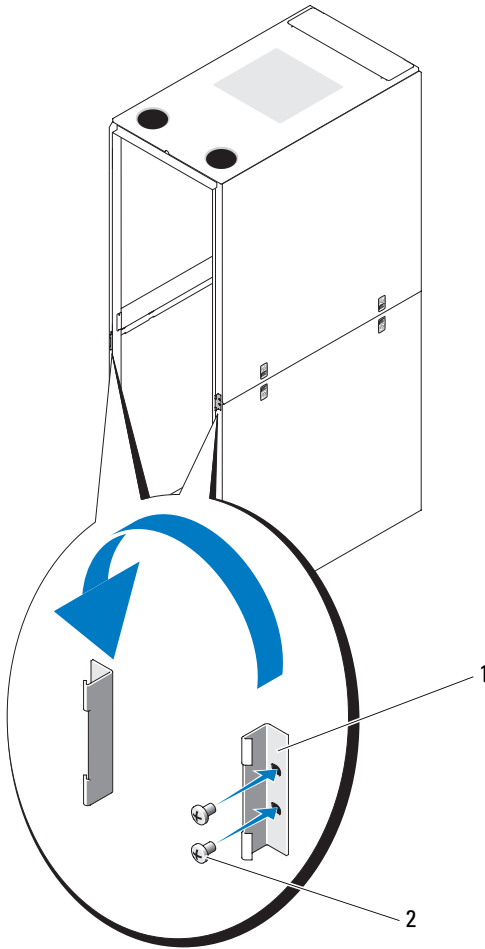
- i Insert the hinge pin into the hinge body.
 - j Insert the retention clip through the hinge so that the retention clip is below the spring.
- 4** Reverse the bottom hinge body.
- a Remove the Allen bolts that secure the hinge body to the rack, and place the bolts in a safe location.
 - b Rotate the hinge body 180 degrees so that the hinge posts are now on the other side of the hinge body (see Figure 1-8).
 - c Locate the bottom bolt holes in the right side of the rack, and use the Allen bolts to fasten the hinge body to the right side of the rack.
- 5** Rotate the front door 180 degrees so that its hinge-pin housings are on the right side (see Figure 1-9).

Figure 1-9. Rotate the Front Door



- 6** Replace the front door by reversing the steps in "Removing the Front Door" on page 8.
- 7** Reverse the lock catch.
 - a** Unscrew the two Phillips screws that hold the lock catch to the vertical frame member.
 - b** Remove the lock catch and rotate it 180 degrees.
 - c** Reinstall the lock catch on the other rack front vertical frame member by aligning the holes of the catch with the holes of the frame member and then reinserting the two Phillips screws. See Figure 1-10.

Figure 1-10. Reversing the Front Door Lock Catch

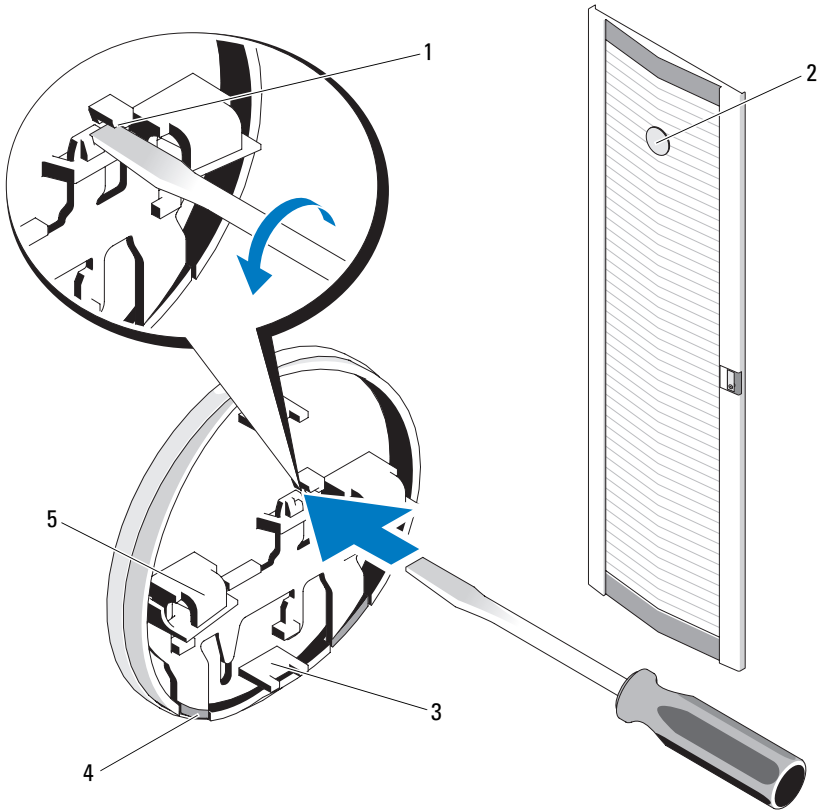


1 lock catch

2 screws

- 8** Reverse the badge on the front door.
 - a** Open the front door.
 - b** From inside the door, insert a flat-head screwdriver into the badge release notch (see Figure 1-11).

Figure 1-11. Reversing the Front Door Badge



- | | | | |
|---|---------------------|---|--------------------------|
| 1 | badge release notch | 2 | front door badge |
| 3 | center tab (2) | 4 | badge retention clip (2) |
| 5 | badge hook (2) | | |


- c** Push the screwdriver into the notch until it stops, and turn it counter-clockwise.
- d** Lift up on the badge and pull it off the door.
- e** Rotate the badge 180 degrees so that it will read correctly when reinstalled.


- f Locate the sixth horizontal bar from the top of the door and slide the badge hooks over it, aligning the center tabs on the badge with the vertical bar on the door.
- g Push up on the badge retention clips until they are closed and the badge is secure.


Securing the Rack Leveling Feet

 **WARNING: Read all statements below before you adjust the leveling feet.**


Your rack includes four leveling feet, which are mounted on the corners of the rack. The leveling feet are designed to align the rack in an upright, level position when the rack is situated on a slightly uneven floor surface. Before you install your systems in the rack, deploy and adjust the leveling feet. When you level your rack, follow these guidelines.

 **WARNING: When you adjust the leveling feet, ensure that the casters on each corner of the rack do not rise more than 9.5 mm (3/8 inch) above the floor. If you exceed 9.5 mm of clearance between the floor and the casters as you adjust the leveling feet, *slowly* retract the leveling feet, and then move the rack to another location that requires minimal adjustments to the leveling feet.**

 **WARNING: Adjust the leveling feet until each leveling foot rests firmly on the floor. Proper contact with the floor ensures that each leveling foot is supporting the weight of the rack and prevents the rack from swaying in any direction. If the leveling feet are not all in firm contact with the floor, the rack can become unstable and tip over.**

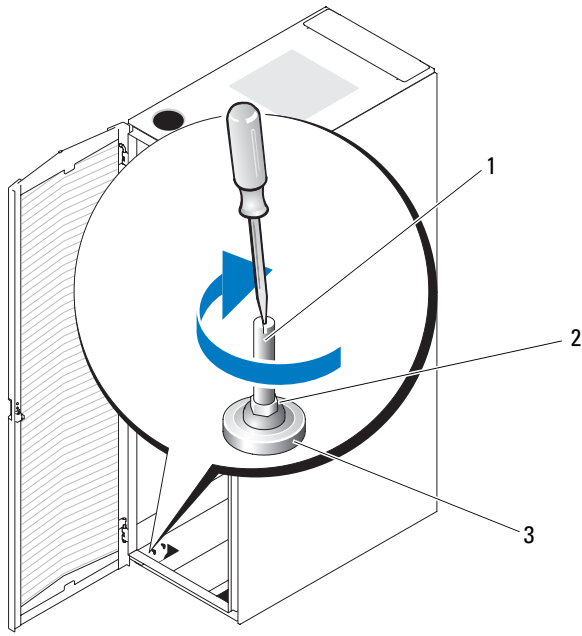
 **WARNING: Do not attempt to move your rack with the leveling feet deployed. Always retract the leveling feet before moving the rack. Having the leveling feet deployed when you move the rack may cause the rack to tip over.**

 **WARNING: Always level the rack and install the stabilizing feet before you install your systems. A fully loaded rack may tip over if your rack is resting on an uneven floor surface and the leveling and stabilizing feet are not supporting the weight of the rack.**

 **NOTE:** If the rack is not leveled properly, you might not be able to install the stabilizer feet, which are necessary to prevent the rack from tipping over.

- 1 Using a screwdriver, lower the leveling foot until it rests on the floor.
- 2 If you need to lower the foot further, tighten the hex nut clockwise with a 12-mm wrench (see Figure 1-12).
- 3 Repeat steps 1 and 2 for the remaining leveling feet.
- 4 Ensure that the rack is in level.

Figure 1-12. Adjusting the Leveling Feet



- 1 leveling foot stem
- 2 hex nut
- 3 leveling pad

Installing the Rack Stabilizer Feet

⚠ WARNING: Installing systems in a rack without the front and side stabilizer feet installed could cause the rack to tip over, potentially resulting in bodily injury under certain circumstances. Therefore, always install the stabilizer feet before installing components in the rack.

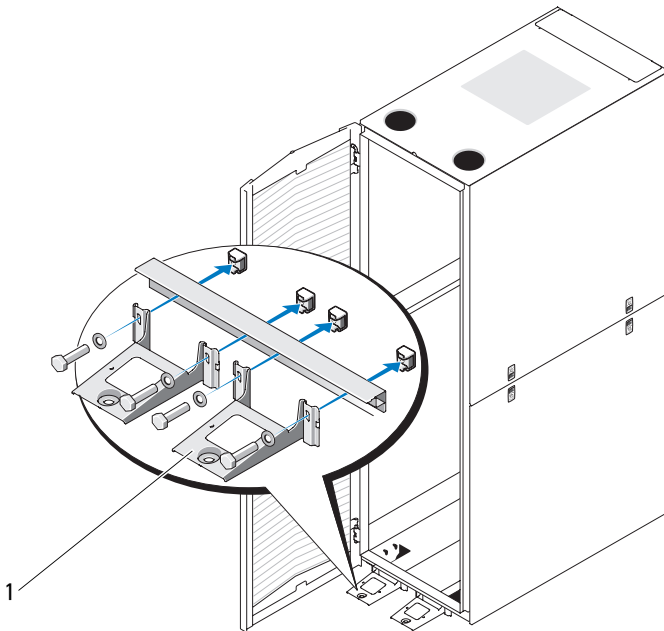
Install stabilizer feet on the rack as follows:

- Install front and side stabilizer feet on a standalone rack.
- Install front stabilizer feet on all racks in a suite, and install left or right stabilizer feet on the racks at each end of a suite.

Installing the Front Stabilizer Feet

- 1 Open the front door.
- 2 Reach into the rack and pull up firmly on each stabilizer to detach them from the frame.
- 3 Remove the plastic fasteners attached to the stabilizer feet.
- 4 Position each front stabilizer foot against the base of the rack frame and align its holes with the corresponding holes in the frame.
- 5 Use the provided bolts, washers, and cage nuts to secure each foot to the rack as shown in Figure 1-13.

Figure 1-13. Installing the Front Stabilizer Feet

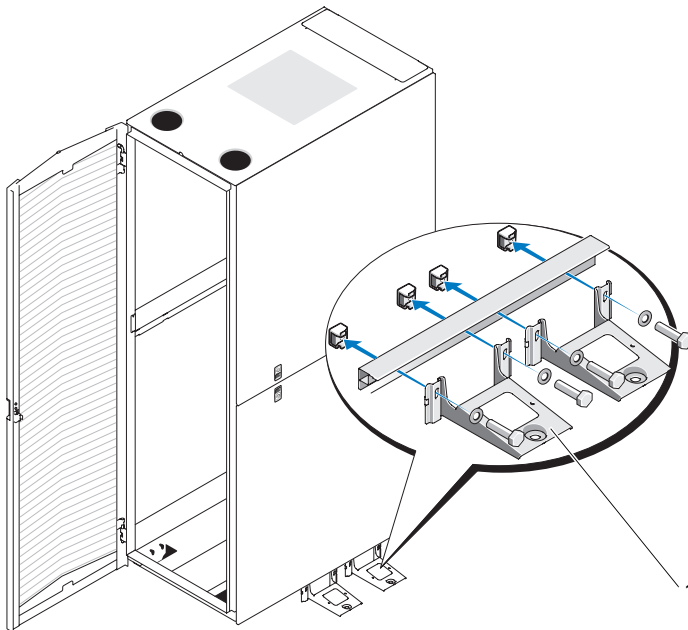


- 1 front stabilizer foot (2)

Installing the Side Stabilizer Feet

- 1 Remove the lower side panels (see "Removing the Lower Side Panels" on page 13).
- 2 On the side of the rack frame's bottom rail, locate the four holes (see Figure 1-14).
- 3 Position each stabilizer foot against the base of the rack frame and align its holes with the corresponding holes in the frame.

Figure 1-14. Installing the Side Stabilizer Feet



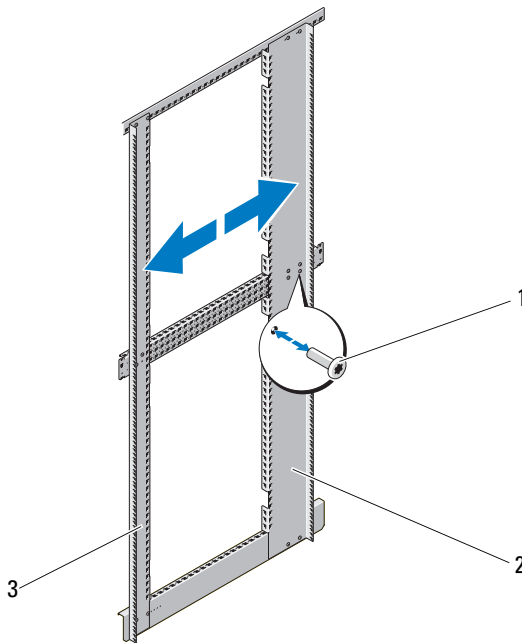
- 1 side stabilizer foot (2 per side)
- 4 Use the provided bolts, washers, and cage nuts to secure each foot to the rack as shown in Figure 1-14.

Adjusting the Rack Posts (Optional)

The position of the rack posts can be adjusted to accommodate systems of various depths.

- 1 Open the rack doors.
- 2 Remove the screws on the bottom, middle, and top of the post (see Figure 1-15).
- 3 Move the post to the desired location inside the side of the rack, and replace the screws in the corresponding holes.

Figure 1-15. Adjusting the Rack Posts



1 screws

2 back rack post

3 front rack post



NOTE: Unless you need to couple two or more racks, you may now install systems into the rack. Refer to the white numbered labels on the front and back of the rack mounting rails for information on installing components in the rack.

Routing Cables

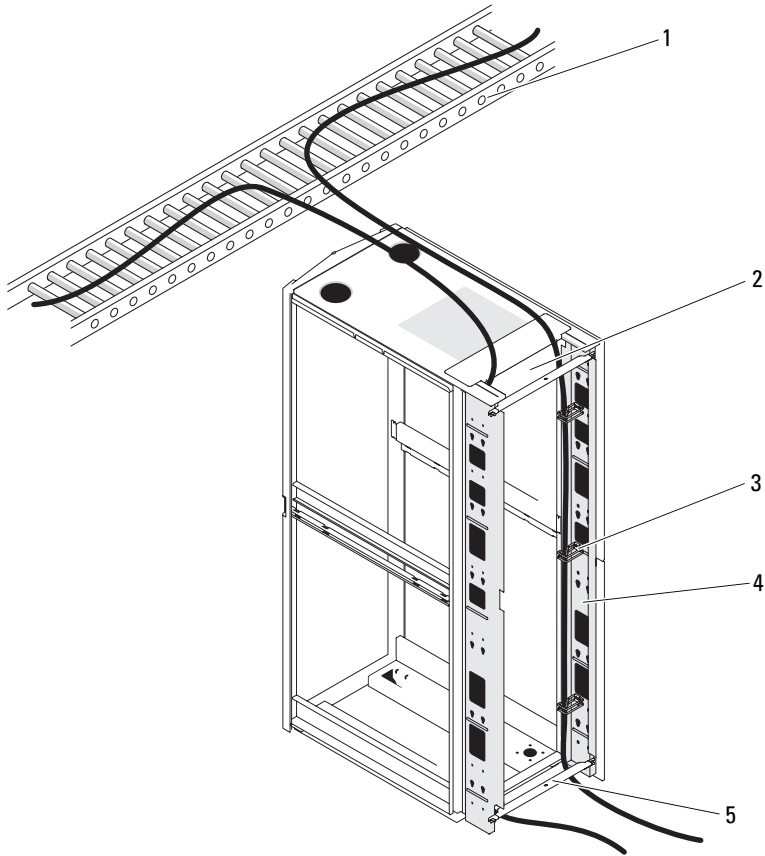
The 48-U rack offers several features that simplify cable routing (see Figure 1-16).

- The power distribution unit (PDU) channels in each rack flange allow you to route power cables to the systems mounted in the rack.
- Cable clips can be mounted in the PDU channels to keep cables out of the way and help prevent cords from becoming tangled.

You can route cables out of the rack in two ways on a standard configuration:

- Through the cable exit at the bottom of the back doors (see Figure 1-16).
- Through the adjustable cable slot at the top of the rack and into a cable raceway (see Figure 1-16).

Figure 1-16. Cable-Routing Options



- 1 cable raceway
- 3 cable clips
- 5 bottom cable exit

- 2 top cable slot
- 4 PDU channels (2 per side)

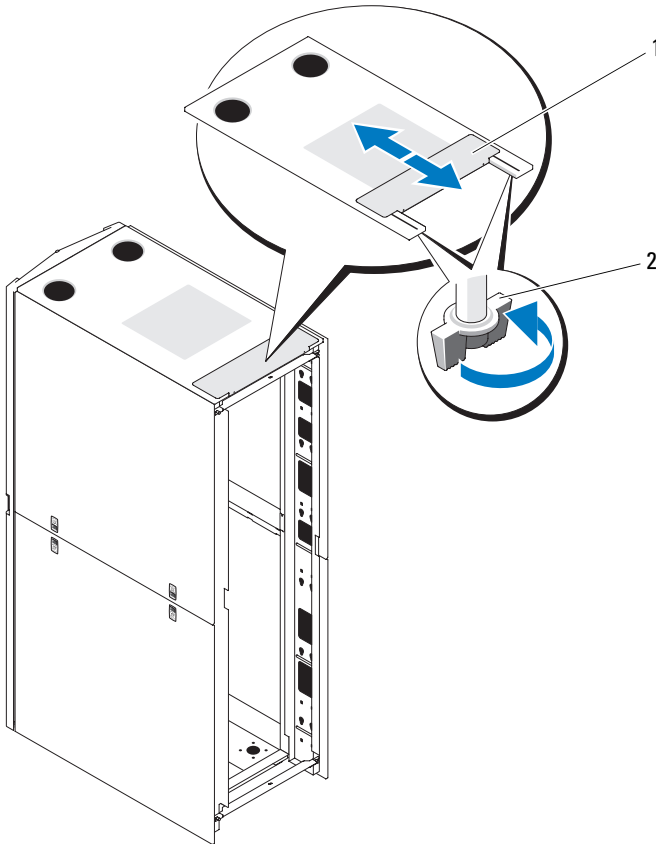
Opening and Closing the Top Cable Slot

The top cable slot in the rack can be used for routing cables up to a cable raceway.

- 1 Open the back doors.
- 2 Loosen the wingnuts underneath the cable slot cover (see Figure 1-17).

- 3 Slide the cable slot cover towards the front of the rack.
- 4 After routing your cables through the top of the rack, close any air gap in the cable slot by pulling the slot cover towards the back of the rack. Use the wingnuts to secure the cover.

Figure 1-17. Opening and Closing the Top Cable Slot



1 cable slot cover

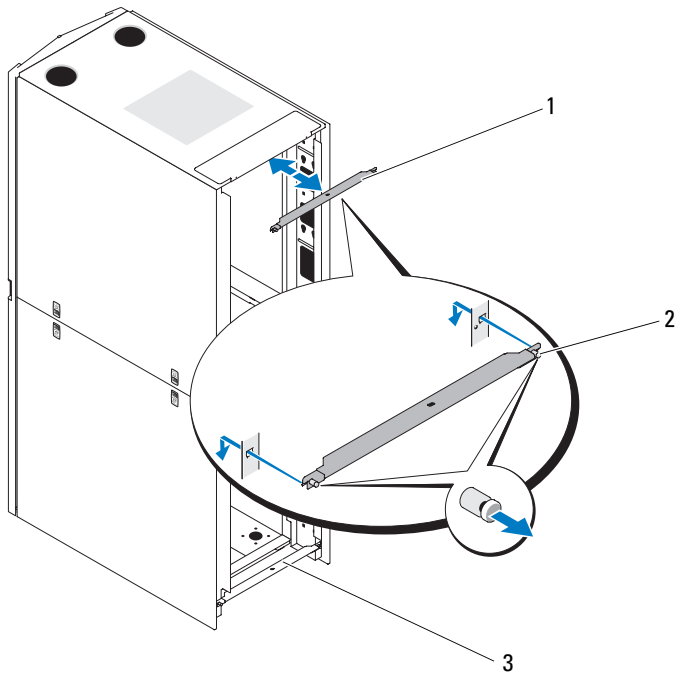
2 wingnut (2)

Removing and Installing the Back Door Stabilizer Bars

The top and bottom bars used to stabilize the back doors can be removed, making it easier to route cables through the top and bottom of the rack.

- 1 Open the back doors.
- 2 Pull and hold the plungers on each side of the bar, and pull the bar up and away from the rack (see Figure 1-18).
- 3 After routing your cables, replace the bars by aligning the tabs on the bars with the corresponding holes in the rack and pushing in and down until the plungers lock into place.

Figure 1-18. Removing and Installing the Back Door Stabilizer Bars



- | | | | |
|---|-----------------------------------|---|---------------------|
| 1 | back door stabilizer bar (top) | 2 | plunger (2 per bar) |
| 3 | back door stabilizer bar (bottom) | | |

Coupling Two Racks

⚠ WARNING: Because of the size and weight of the rack cabinets, never attempt to couple two rack cabinets by yourself.

- 1 Unpack and set up both racks.
- 2 Unpack the coupling kit, shown in Figure 1-19.
The contents of the rack coupling kit include:

- One gasket strip
- Four coupling brackets

Figure 1-19. Rack Coupling Kit



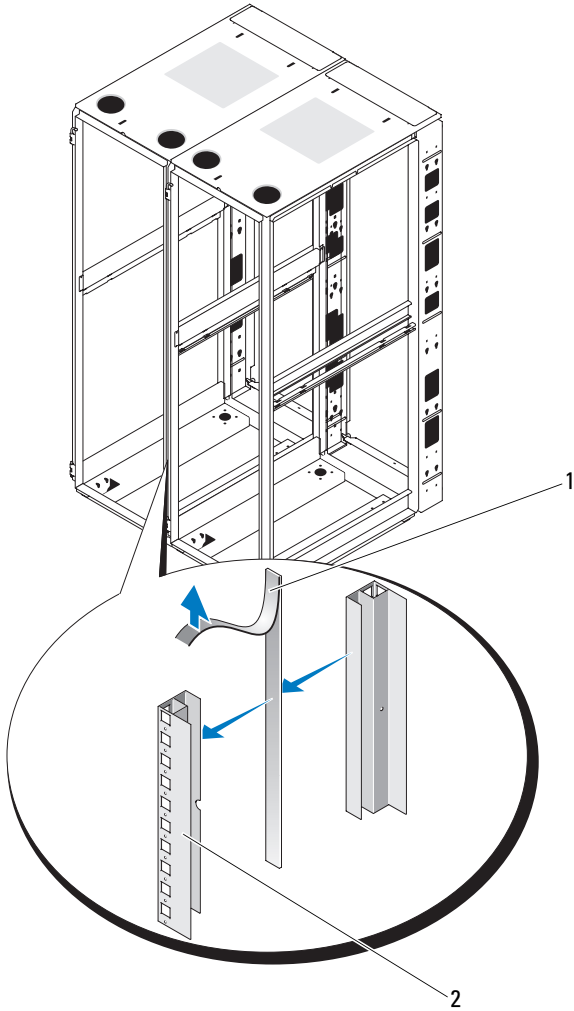
1 gasket strip

2 coupling bracket (4)

- 3 Remove the doors and side panels from both racks. See "Removing the Front Door" on page 9, "Opening and Removing the Back Doors" on page 10, and "Removing and Replacing the Side Panels" on page 12.
- 4 Cut and place a segment of the gasket strip, with its protective backing removed, on one of the racks along the frame surface to be in contact with the adjacent rack (see Figure 1-20).

🔪 NOTE: It does not matter on which rack you place the gasket strip segments, as long as they protect both racks from being scratched.

Figure 1-20. Installing the Gasket Strip

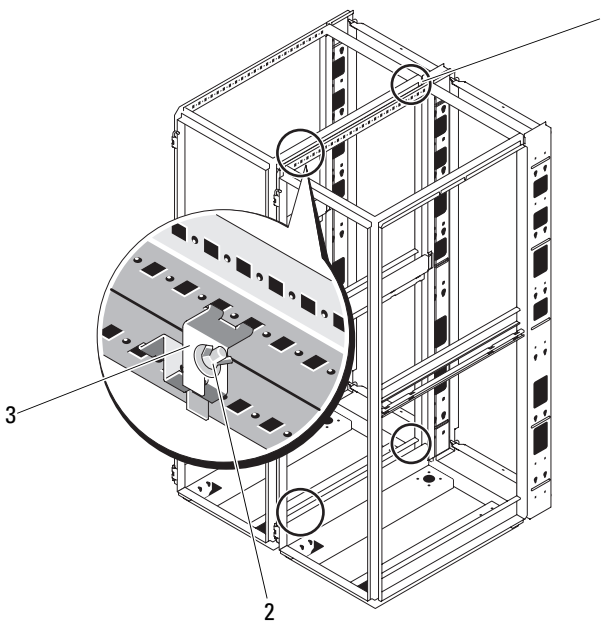


1 gasket strip

2 rack frame

- 5** Install the coupling brackets.
- a** Position the two racks side by side.
 - b** Adjust the leveling feet on both racks so that the racks are parallel and in the same horizontal plane. For instructions, see "Adjusting the Leveling Feet" on page 24.
 - c** To install the coupling brackets on the racks, hook the brackets into the square holes inside and adjacent to the rack posts, and tighten the brackets using the wingnuts (see Figure 1-21).

Figure 1-21. Coupling Two Racks



- 1 coupling bracket locations
- 3 coupling bracket (4)

2 wingnut

Armoire rack Dell PowerEdge

Guide d'installation

Remarques, précautions et avertissements



REMARQUE : Une REMARQUE indique des informations importantes qui peuvent vous aider à mieux utiliser votre ordinateur.



PRÉCAUTION : Une PRÉCAUTION vous avertit d'un risque de dommage matériel ou de perte de données en cas de non-respect des instructions données.



AVERTISSEMENT : Un AVERTISSEMENT indique un risque d'endommagement du matériel, de blessure corporelle ou de mort.

Les informations contenues dans ce document sont sujettes à modification sans préavis.

© 2010 Dell Inc. Tous droits réservés.

La reproduction de ce document de quelque manière que ce soit sans l'autorisation écrite de Dell Inc. est strictement interdite.

Marques mentionnées dans ce document : Dell™, le logo DELL et PowerEdge™ sont des marques de Dell Inc.

D'autres marques commerciales et noms de marque peuvent être utilisés dans ce document pour faire référence aux entités se réclamant de ces marques et de ces noms ou de leurs produits. Dell Inc. rejette tout intérêt propriétaire dans les marques et les noms commerciaux autres que les siens.

Table des matières

Consignes de sécurité	39
SÉCURITÉ : Montage en rack des systèmes	39
Instructions d'installation de l'armoire	40
Spécifications de l'armoire rack	40
Avant de commencer	40
Tâches d'installation	41
Outils et fournitures recommandés	42
Retrait et réinstallation des portes	42
Retrait et réinstallation des panneaux latéraux	46
Inversion du sens d'ouverture de la porte avant (facultatif)	51
Fixation des pieds réglables de l'armoire	58
Installation des stabilisateurs	60
Réglage des montants (facultatif)	62
Cheminement des câbles	64
Couplage de deux armoires	69

Consignes de sécurité

Appliquez les consignes de sécurité fournies dans ce guide pour préserver votre sécurité personnelle et protéger votre système et votre environnement de travail de tout dommage. Pour plus d'informations sur la sécurité et les réglementations, reportez-vous aux consignes de sécurité fournies avec le système. Les clauses de garantie peuvent se trouver dans ce document ou dans un document distinct.

SÉCURITÉ : Montage en rack des systèmes

Pour garantir la stabilité et la sécurité de l'armoire rack, prenez les précautions ci-après. Consultez également la documentation d'installation jointe au système et à l'armoire rack pour prendre connaissance des précautions et procédures spécifiques.

Les systèmes installés dans les racks de l'armoire sont considérés comme des composants. Le terme «composant» désigne tout système, périphérique ou matériel connexe.

△ PRÉCAUTION : Instructions relatives aux systèmes montés en rack :

- L'utilisation du kit est approuvée uniquement pour l'armoire rack fournie. Il vous incombe de vérifier que son installation dans une autre armoire rack est conforme à l'ensemble des normes en vigueur. Dell décline toute responsabilité ou garantie en cas d'installation du kit dans une autre armoire rack.
- Avant d'installer votre équipement dans une armoire, installez les stabilisateurs avant et latéraux. Sinon, l'armoire risque de basculer.
- Chargez toujours les composants les plus lourds en premier et procédez de bas en haut.
- Ne surchargez pas le circuit du bloc d'alimentation en CA qui alimente l'armoire.
- Évitez de marcher sur les composants de l'armoire.

Instructions d'installation de l'armoire


Ce guide d'installation fournit les instructions nécessaires pour l'installation d'une armoire rack par un personnel qualifié. Les informations portent sur l'assemblage de l'armoire, le couplage de deux armoires et le routage des câbles. L'armoire peut être installée à l'aide des outils recommandés.

Avant de commencer l'installation, lisez attentivement cette procédure en entier.


Spécifications de l'armoire rack


 **PRÉCAUTION** : L'armoire est conforme aux spécifications des organismes suivants : American National Standards Institute (ANSI), Consumer Electronics Association (CEA) norme EIA/CEA-310-E, International Electrotechnical Commission (IEC) 60297-3-100 et Deutsche Industrie Norm (DIN) 41494.


Avant de commencer

 **AVERTISSEMENT** : Avant de procéder à l'installation du rack, lisez attentivement la section «Consignes de sécurité importantes» ainsi que les consignes de sécurité fournies avec l'armoire.

 **AVERTISSEMENT** : Si vous installez plusieurs systèmes dans une même armoire rack, achevez toutes les opérations requises pour le système en cours d'installation avant de commencer l'installation du système suivant.

 **AVERTISSEMENT** : Les armoires racks peuvent être extrêmement lourdes, mais il est facile de les déplacer sur leurs roulettes. Elles sont dépourvues de freins. Procédez avec une extrême prudence pour déplacer une armoire rack. Rentrez les pieds réglables avant tout déplacement. Évitez de déplacer l'armoire sur des plans inclinés trop longs ou trop abrupts, des rampes ou des surfaces accidentées car vous risquez d'en perdre le contrôle. Une fois l'armoire en place, ressortez les pieds réglables pour l'empêcher de rouler.

 **AVERTISSEMENT** : Évitez de faire rouler l'armoire rack sur des surfaces inégales. Les secousses pourraient briser les roulettes et l'armoire risquerait de basculer ou de se renverser.

 **AVERTISSEMENT** : N'essayez pas de déplacer l'armoire si des composants y sont déjà installés. Si vous déplacez une armoire rack entièrement chargée sur une surface légèrement inégale, elle risque de basculer et de se renverser.

Consignes de sécurité importantes

Respectez les consignes de sécurité décrites dans les sous-sections suivantes lorsque vous installez votre système dans l'armoire rack.

⚠ AVERTISSEMENT : Vous devez respecter à la lettre les procédures décrites dans ce document afin de préserver votre sécurité et celle des autres intervenants. Le système à installer peut être très lourd et volumineux. Une préparation et une planification adéquates sont donc essentielles afin d'éviter tout risque de blessure pour vous-même ou autrui. Ces précautions sont d'autant plus importantes en cas d'installation de composants dans la partie supérieure de l'armoire.

Pieds stabilisateurs

⚠ AVERTISSEMENT : Avant d'installer des systèmes dans une armoire autonome, vous devez installer les pieds stabilisateurs avant et latéraux. Dans le cas d'armoires couplées, installez d'abord le stabilisateur avant. Si les stabilisateurs ne sont pas correctement installés avant la mise en place des systèmes dans une armoire, celle-ci risque de basculer et de causer des dommages corporels. Installez toujours le(s) stabilisateur(s) avant d'ajouter des composants.

⚠ AVERTISSEMENT : Après avoir installé des systèmes dans une armoire rack, n'essayez jamais d'en extraire plus d'un à la fois au moyen des assemblages à glissière. L'armoire risquerait de basculer et de vous blesser.

Les pieds stabilisateurs empêchent l'armoire de basculer lorsque vous déployez complètement un assemblage à glissières pour retirer un système ou un composant.

Tâches d'installation

Pour installer une armoire rack, vous devez effectuer les opérations suivantes :

- 1 Retrait et réinstallation des portes
- 2 Retrait et réinstallation des panneaux latéraux
- 3 Inversion du sens d'ouverture de la porte avant et du macaron (facultatif)
- 4 Fixation des pieds réglables
- 5 Installation des stabilisateurs
- 6 Réglage des montants (facultatif)
- 7 Acheminement des câbles
- 8 Couplage de deux armoires (facultatif)

Outils et fournitures recommandés

Pour installer l'armoire, vous pouvez avoir besoin des outils et fournitures suivants :

- Tournevis cruciforme n° 2
- Tournevis à tête plate
- Clé de 12 mm
- Pince à bec fin
- Clé Allen de 4 mm (si vous souhaitez inverser le sens d'ouverture de la porte avant)
- Clés des portes et des panneaux latéraux
- Clé de 13 mm (pour retirer l'armoire de la palette)
- Clé de 17 mm (pour retirer l'armoire de la palette)

Retrait et réinstallation des portes



AVERTISSEMENT : Compte tenu de leur poids et de leur taille, ne retirez ou n'installez jamais les portes de l'armoire rack sans l'aide d'une autre personne.



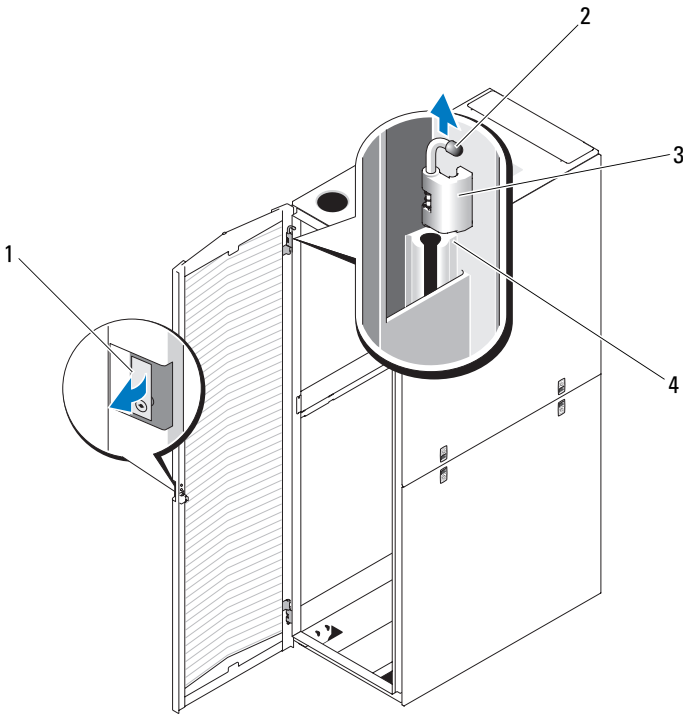
AVERTISSEMENT : Une fois les portes retirées, posez-les à plat pour éviter qu'elles ne se renversent et ne blessent quelqu'un.

Retrait de la porte avant

- 1 Tirez le loquet et ouvrez complètement la porte avant (voir figure 1-1).
- 2 Tout en maintenant la porte, soulevez l'axe de la charnière afin de le dégager de son logement (voir figure 1-1).

Le clip de retenue empêche l'axe de sortir complètement de son logement.

Figure 1-1. Retrait de la porte avant



- | | | | |
|---|-----------------------|---|--------------------------------|
| 1 | Loquet | 2 | Axe de la charnière |
| 3 | Corps de la charnière | 4 | Logement de l'axe de charnière |

3 Tout en maintenant l'axe de la charnière hors de son logement, tirez légèrement la porte de l'armoire pour la dégager.

4 Lâchez l'axe de la charnière.

5 Soulevez la porte pour la dégager du tourillon inférieur.

⚠ AVERTISSEMENT : Compte tenu de la taille et du poids de la porte, il est recommandé de la poser à plat sur le sol, face externe vers le haut.

6 Déposez la porte en lieu sûr, face externe vers le haut pour ne pas endommager le macaron ni le revêtement.

Réinstallation de la porte avant

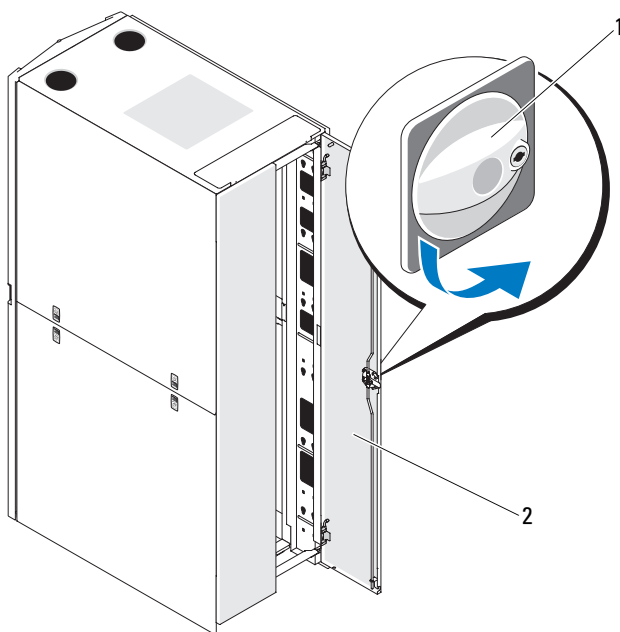
Pour réinstaller la porte avant, exécutez la procédure de retrait dans l'ordre inverse.

Ouverture et retrait des portes arrière

⚠ AVERTISSEMENT : Compte tenu de leur poids et de leur taille, ne retirez ou n'installez jamais les portes sans l'aide d'une autre personne.

- 1 Tournez la poignée et ouvrez les portes arrière (voir figure 1-2).

Figure 1-2. Ouverture des portes arrière



1 Poignée

2 Porte arrière (2)

2 Retirez la porte arrière droite.

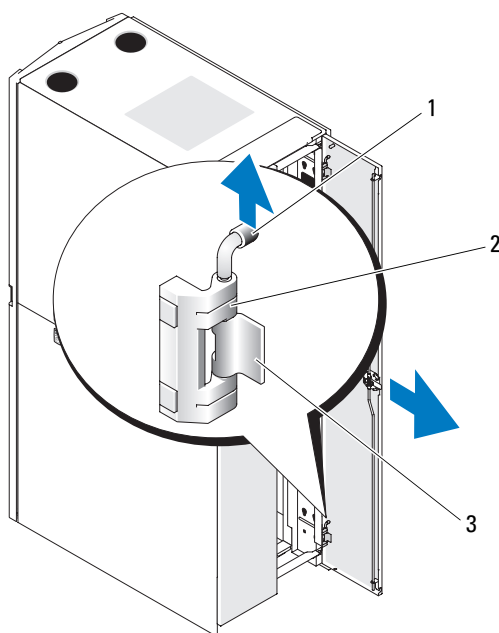
a Tout en maintenant la porte, extrayez l'axe de la charnière supérieure de son logement (voir figure 1-3).

Vous devez normalement entendre un déclic lors de cette opération. Les axes sont conçus de façon à ne pas sortir complètement du corps de la charnière.

b Répétez l'étape a pour la charnière du bas.

c Tirez sur la porte pour l'extraire.

Figure 1-3. Retrait des portes arrière



1 Axe de charnière

2 Corps de la charnière

3 Logement de l'axe de charnière




AVERTISSEMENT : Compte tenu de la taille et du poids de la porte, il est recommandé de la poser à plat sur le sol, face externe vers le haut.


- d Déposez la porte en lieu sûr, face externe vers le haut.
Vous éviterez ainsi d'endommager le revêtement.
- e Répétez la procédure de l'étape a à l'étape d pour retirer la porte arrière gauche.


Réinstallation des portes arrière

Pour réinstaller les portes arrière, exécutez la procédure de retrait dans l'ordre inverse.

Retrait et réinstallation des panneaux latéraux

 **PRÉCAUTION :** Pour les armoires autonomes, il est indispensable de réinstaller les panneaux latéraux avant de mettre en marche les systèmes installés à l'intérieur afin d'assurer une ventilation correcte.

 **REMARQUE :** Vous devez retirer les panneaux latéraux inférieurs pour installer les stabilisateurs latéraux.

 **REMARQUE :** Il n'est pas obligatoire de retirer les panneaux latéraux pour installer des systèmes, mais cela est plus pratique pour installer les glissières et les rails et pour inverser le sens d'ouverture de la porte avant.

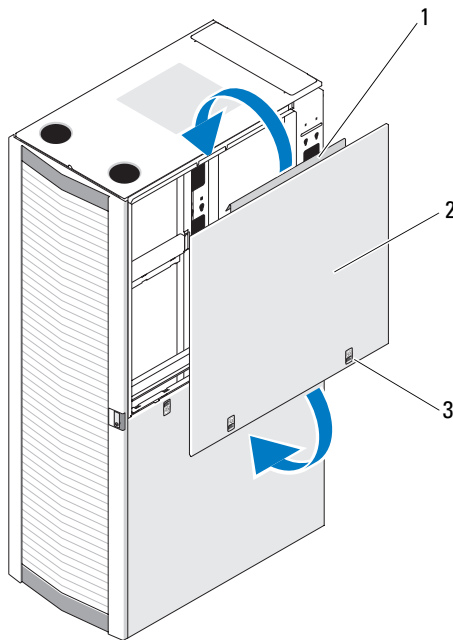
Retrait des panneaux latéraux supérieurs

- 1 Tirez les deux loquets vers le haut et dégagez la partie inférieure du panneau (voir figure 1-4).
- 2 Tenez fermement le panneau par ses côtés.
- 3 Soulevez le panneau jusqu'à ce que sa lèvre se dégage de la partie supérieure du rack.
- 4 Déposez le panneau en lieu sûr, face externe vers le haut afin de ne pas en endommager le revêtement.
- 5 Répétez la procédure de l'étape 1 à l'étape 4 pour retirer l'autre panneau latéral supérieur.

Réinstallation des panneaux latéraux supérieurs

- 1 Soulevez le panneau latéral supérieur et accrochez sa lèvre sur la partie supérieure du rack (voir figure 1-4).
- 2 Faites basculer la partie inférieure du panneau vers le rack.
- 3 Enfoncez le panneau dans le rack jusqu'à ce que les deux loquets s'enclenchent.

Figure 1-4. Réinstallation des panneaux latéraux supérieurs



1 Lèvre

2 Panneau latéral supérieur (2)

3 Loquets (2)

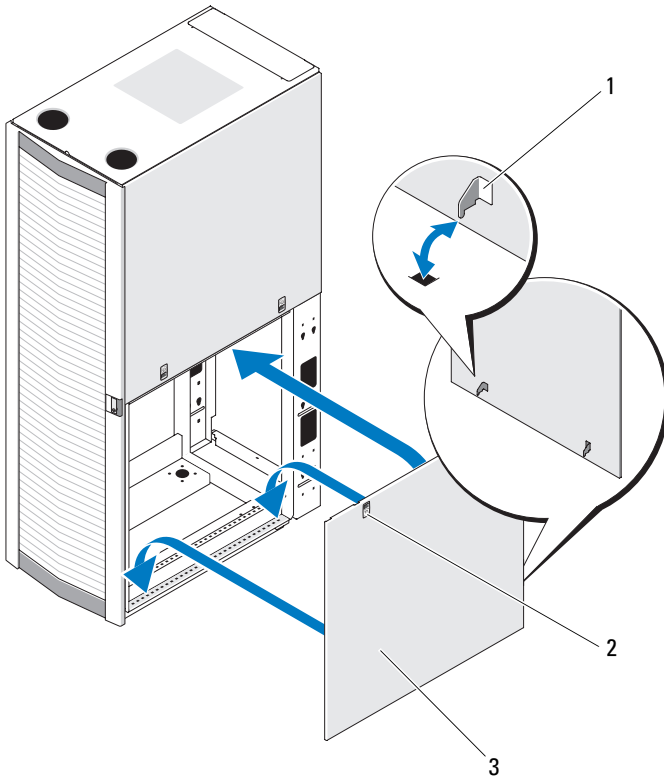
Retrait des panneaux latéraux inférieurs

- 1** Abaissez les deux loquets et faites glisser le panneau vers le haut pour dégager légèrement sa partie supérieure.
- 2** Tenez fermement le panneau par ses côtés.
- 3** Relevez le panneau de façon à dégager les crochets des orifices situés en bas du châssis de l'armoire.
- 4** Déposez le panneau en lieu sûr, face externe vers le haut pour ne pas endommager le revêtement.
- 5** Répétez la procédure de l'étape 1 à l'étape 4 pour retirer l'autre panneau latéral inférieur.

Réinstallation des panneaux latéraux inférieurs

- 1** Introduisez le panneau dans le rack, en enclenchant le crochet arrière dans l'orifice arrière en bas du châssis de l'armoire et le crochet avant dans l'orifice correspondant à l'avant du châssis (voir figure 1-5).
- 2** Faites basculer la partie supérieure du panneau vers le rack.
- 3** Enfoncez le panneau dans le rack jusqu'à ce que les deux loquets s'enclenchent.

Figure 1-5. Réinstallation des panneaux latéraux inférieurs



1 Crochet (2)

2 Loquet (2)

3 Panneau latéral inférieur (2)



REMARQUE : Les procédures suivantes concernent uniquement les armoires racks très profondes.

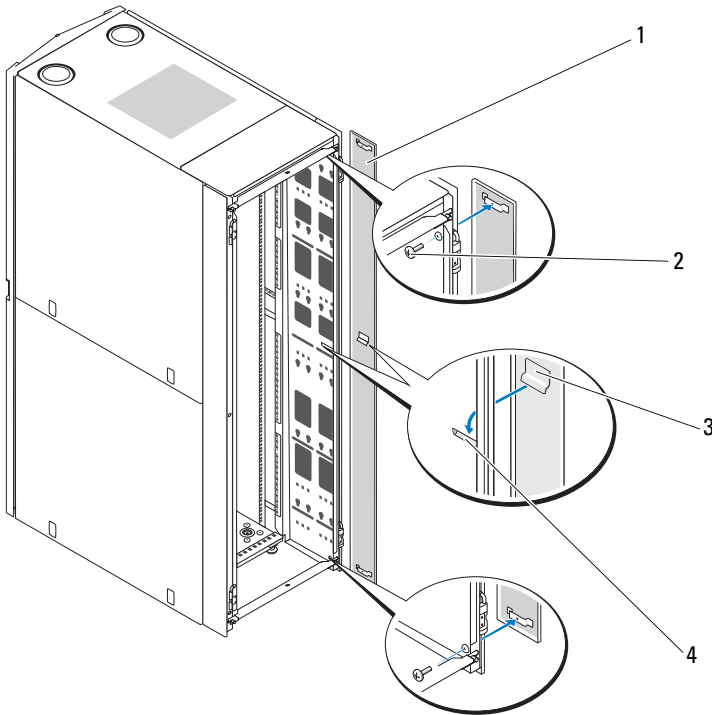
Retrait du panneau latéral arrière

- 1 À l'intérieur de l'armoire, retirez les vis (2) qui maintiennent le panneau.
- 2 Faites glisser le panneau latéral arrière vers le haut pour l'extraire de l'armoire.

Réinstallation du panneau latéral arrière

- 1 Insérez l'équerre d'alignement située au milieu du panneau dans l'encoche du rack du module PDU (unité de distribution de l'alimentation).
- 2 Insérez et serrez les vis fixant le panneau latéral arrière en haut et en bas du châssis.

Figure 1-6. Réinstallation des panneaux latéraux arrière



1 Panneau latéral arrière

2 Vis (2)

3 Équerre d'alignement

4 Encoche du rack PDU

Inversion du sens d'ouverture de la porte avant (facultatif)

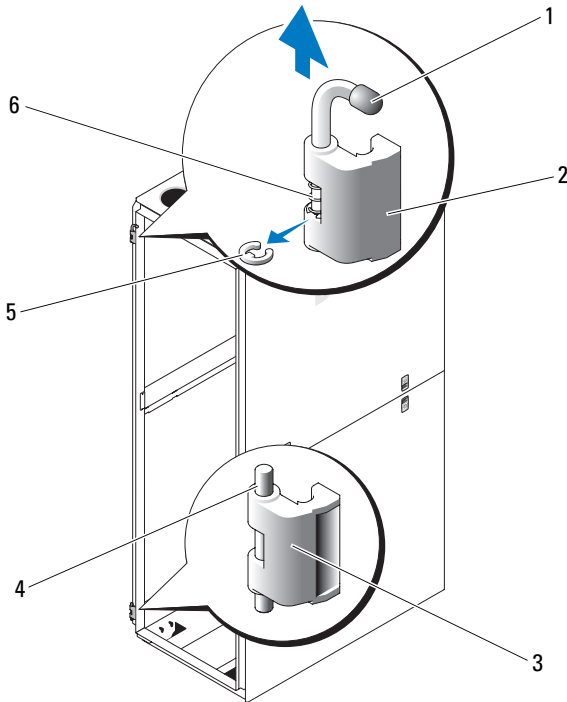


REMARQUE : Utilisez une clé Allen de 4 mm pour retirer les corps de charnière de l'armoire et les réinstaller du côté opposé. Un escabeau peut être nécessaire pour accéder au boulon Allen qui fixe le corps de charnière supérieur à l'armoire.

Pour inverser le sens d'ouverture de la porte avant, procédez comme suit :

- 1** Retirez la porte avant (voir «Retrait de la porte avant» à la page 42).
- 2** Retirez les panneaux latéraux (voir «Retrait et réinstallation des panneaux latéraux» à la page 46).
- 3** Montez le corps de la charnière supérieure du côté opposé.
 - a** Tirez légèrement l'axe de charnière vers le haut pour accéder au clip de retenue (voir figure 1-7).
 - b** À l'aide de la pince à bec fin, retirez le clip de retenue et dégagez l'axe du corps de la charnière.

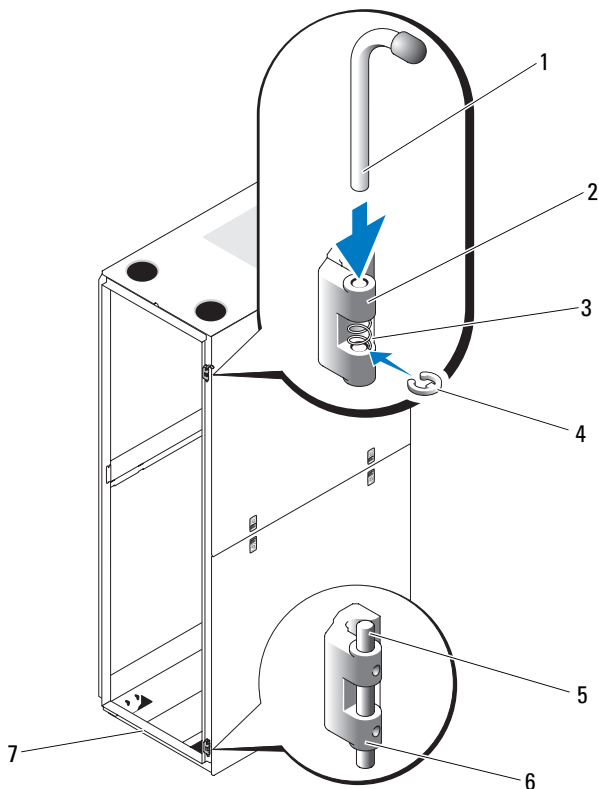
Figure 1-7. Retrait des charnières de la porte avant



- | | | | |
|---|----------------------|---|----------------------|
| 1 | Axe de charnière | 2 | Charnière supérieure |
| 3 | Charnière inférieure | 4 | Tourillon |
| 5 | Clip de retenue | 6 | Ressort |

- c** Retirez le ressort du corps de la charnière.
- d** Rangez en lieu sûr l'axe, le clip de retenue et le ressort.
- e** À l'aide de la clé Allen de 4 mm, retirez les boulons Allen qui fixent le corps de la charnière au châssis et rangez-les avec l'axe de charnière, le clip de retenue et le ressort.
- f** Faites pivoter le corps de la charnière de 180 degrés pour que les logements d'axe se trouvent à droite (voir figure 1-8).

Figure 1-8. Inversion des charnières supérieure et inférieure

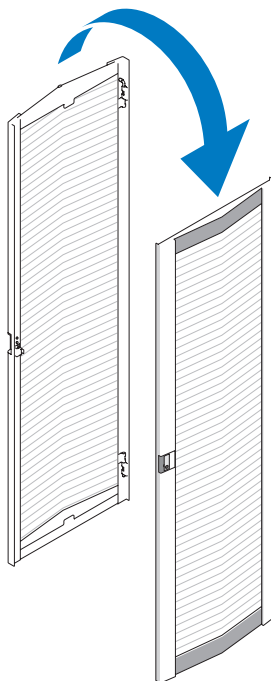


- | | | | |
|---|-------------------------|---|----------------------------------|
| 1 | Axe de charnière | 2 | Corps de la charnière supérieure |
| 3 | Ressort | 4 | Clip de fixation |
| 5 | Tourillon | 6 | Corps de la charnière inférieure |
| 7 | Avant de l'armoire rack | | |

- g** Repérez les orifices supérieurs sur la partie droite du rack et fixez le logement de la charnière à cet endroit à l'aide des boulons Allen.
- h** Insérez le ressort entre les logements d'axe supérieur et inférieur dans le corps de la charnière inférieure.

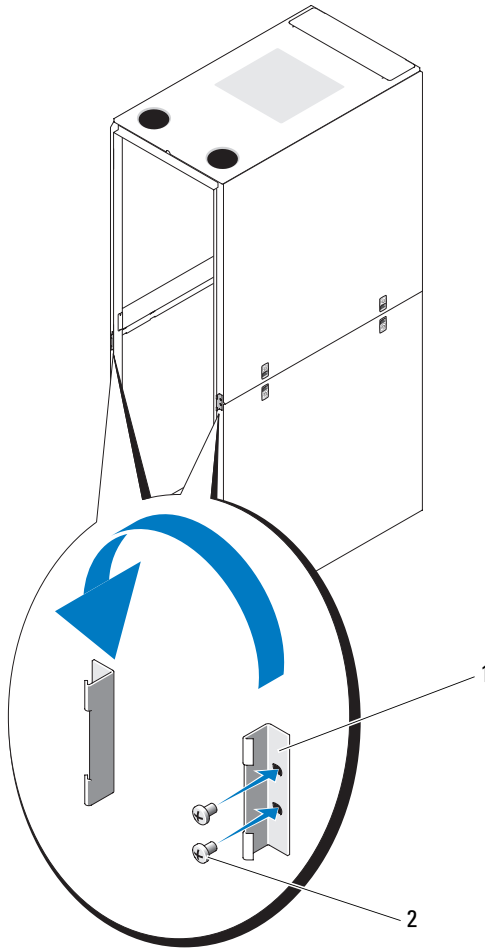
- i Insérez l'axe dans le corps de la charnière.
 - j Insérez le clip de retenue en le faisant passer dans la charnière de façon à le placer sous le ressort.
- 4** Installez le corps de la charnière inférieure du côté opposé.
- a Retirez les boulons Allen qui fixent le corps de la charnière au châssis de l'armoire et rangez-les en lieu sûr.
 - b Faites pivoter le corps de la charnière de 180 degrés pour que les tourillons se trouvent du côté opposé (voir figure 1-8).
 - c Repérez les orifices situés en bas et à droite de l'armoire et fixez le corps de la charnière à l'aide des boulons Allen.
- 5** Faites pivoter la porte avant de 180 degrés pour amener les logements d'axe sur le côté droit (voir figure 1-9).

Figure 1-9. Rotation de la porte avant



- 6** Réinstallez la porte avant en exécutant dans l'ordre inverse les étapes de la section «Retrait de la porte avant» à la page 42.
- 7** Inversez le butoir de verrouillage.
 - a** Dévissez les deux vis cruciformes qui fixent le butoir de verrouillage au châssis vertical de l'armoire.
 - b** Retirez le butoir de verrouillage et faites-le pivoter de 180 degrés.
 - c** Réinstallez le butoir de verrouillage sur l'autre partie verticale avant du châssis, en alignant les trous et en réinsérant les deux vis cruciformes. Voir figure 1-10.

Figure 1-10. Inversion du butoir de verrouillage de la porte avant



1 Butoir de verrouillage

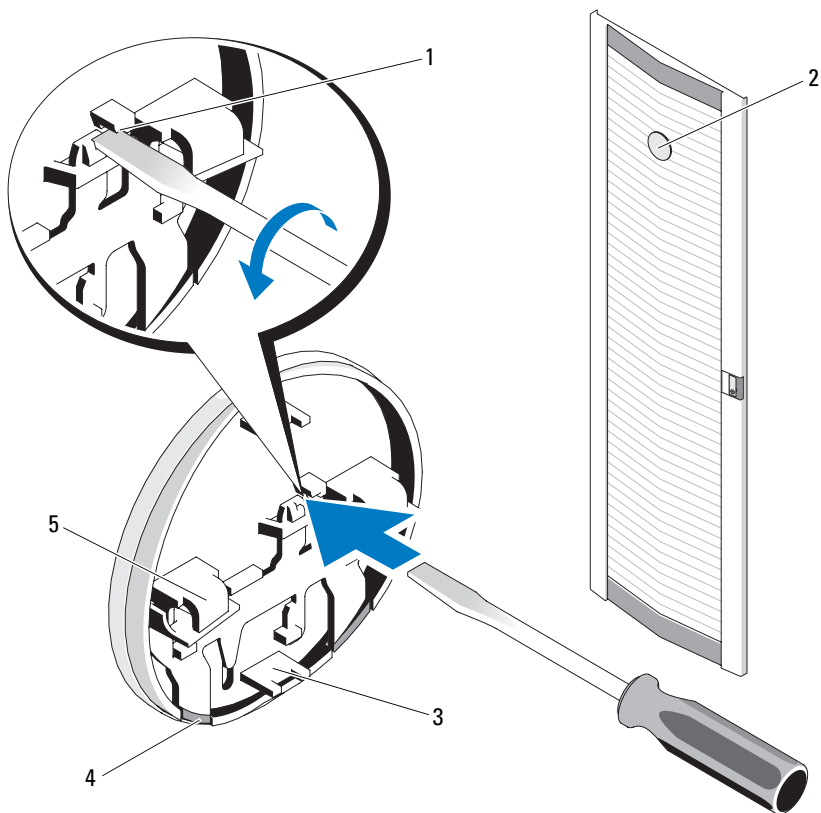
2 Vis

8 Repositionnez le macaron sur la porte avant.

a Ouvrez la porte avant.

b À l'intérieur de la porte, insérez un tournevis à tête plate dans l'encoche de dégagement du macaron (voir figure 1-11).

Figure 1-11. Repositionnement du macaron de la porte avant



- 1 Encoche de dégagement du macaron
- 2 Macaron de la porte avant
- 3 Languette centrale (2)
- 4 Clip de retenue du macaron (2)
- 5 Crochet du macaron (2)

- c** Poussez le tournevis à fond dans l'encoche, puis tournez-le en sens inverse des aiguilles d'une montre.
- d** Soulevez le macaron et dégagez-le de la porte.
- e** Faites pivoter le macaron de 180 degrés afin de le remettre à l'endroit.

- f Repérez la sixième barre horizontale à partir du haut de la porte et glissez-y les crochets du macaron, en alignant les languettes centrales du macaron sur la barre verticale de la porte.
- g Poussez le macaron vers le haut pour que les clips de retenue s'enclenchent.

Fixation des pieds réglables de l'armoire



AVERTISSEMENT : Lisez toutes les instructions ci-après avant de régler les pieds de l'armoire.

Votre armoire est équipée de quatre pieds réglables, un à chaque coin. Ils permettent de maintenir l'armoire parfaitement droite, même sur une surface légèrement inégale. Avant d'installer vos systèmes dans l'armoire, déployez et ajustez les pieds réglables. Pour mettre le rack de niveau, respectez les consignes suivantes.



AVERTISSEMENT : Lorsque vous réglez les pieds, assurez-vous que les roulettes à chaque coin du rack ne sont pas soulevées à plus de 9,5 mm du sol. Si l'espace entre le sol et les roulettes est supérieur à 9,5 mm, rentrez *lentement* les pieds, puis déplacez l'armoire vers un endroit nécessitant un ajustement minimal des pieds réglables.



AVERTISSEMENT : Réglez chaque pied jusqu'à ce qu'il repose fermement sur le sol. Ceci permet d'équilibrer le poids de l'armoire sur les quatre pieds et d'éviter toute inclinaison. Si les pieds ne sont pas en contact parfait avec le sol, l'armoire risque de basculer.



AVERTISSEMENT : N'essayez pas de déplacer l'armoire lorsque les pieds réglables sont déployés. Rentrez toujours les pieds réglables avant de déplacer l'armoire. En effet, elle risque de se renverser si les pieds sont déployés.



AVERTISSEMENT : Avant d'installer vos systèmes, vous devez toujours vérifier que l'armoire est parfaitement de niveau et installer les stabilisateurs. Une armoire complètement chargée risque de se renverser si elle repose sur une surface inégale et que son poids n'est pas réparti correctement entre les stabilisateurs et les pieds réglables.

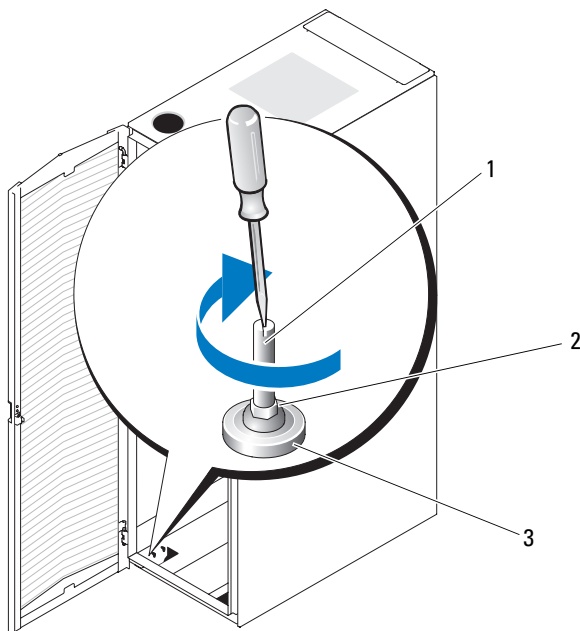


REMARQUE : Si l'armoire n'est pas parfaitement horizontale, vous risquez de ne pas pouvoir installer les stabilisateurs, lesquels sont pourtant nécessaires pour éviter tout basculement.

- 1 À l'aide d'un tournevis, abaissez le pied réglable jusqu'à ce qu'il touche le sol.

- 2 Si vous avez besoin de l'abaisser davantage, resserrez l'écrou 6 pans à l'aide d'une clé de 12 mm (voir figure 1-12).
- 3 Répétez les étapes 1 et 2 pour les autres pieds réglables.
- 4 Vérifiez que l'armoire est bien de niveau.

Figure 1-12. Ajustement des pieds réglables



1 Axe du pied réglable

2 Écrou 6 pans

3 Patin

Installation des stabilisateurs



AVERTISSEMENT : Si vous installez des composants dans une armoire sans avoir installé les stabilisateurs avant et latéraux, vous risquez de voir tout l'édifice basculer, causant éventuellement des dommages corporels. C'est pourquoi, il faut toujours monter les stabilisateurs avant d'installer les composants du rack.

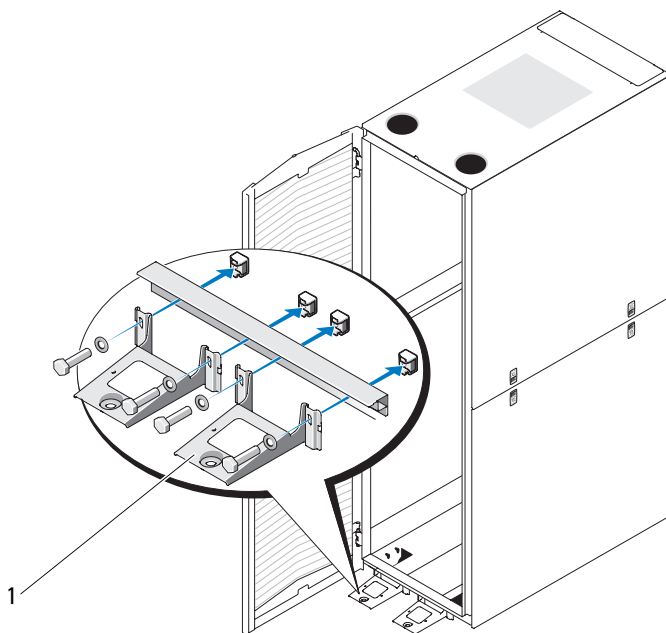
Installez les stabilisateurs sur le rack en procédant comme suit :

- Sur un rack autonome, installez les stabilisateurs avant et latéraux.
- Sur des racks couplés, installez les stabilisateurs avant sur chaque rack, et les stabilisateurs gauches ou droits sur les deux racks situés aux extrémités.

Installation des stabilisateurs avant

- 1 Ouvrez la porte avant.
- 2 Passez la main dans le rack et tirez fermement les stabilisateurs un à un pour les dégager du cadre.
- 3 Retirez les cales en plastique des stabilisateurs.
- 4 Placez chaque stabilisateur avant contre la base du cadre du rack et alignez-en les trous avec ceux du cadre.
- 5 Utilisez les boulons, rondelles et écrous à cage fournis pour fixer chaque stabilisateur au rack, comme l'indique la figure 1-13.

Figure 1-13. Installation des stabilisateurs avant

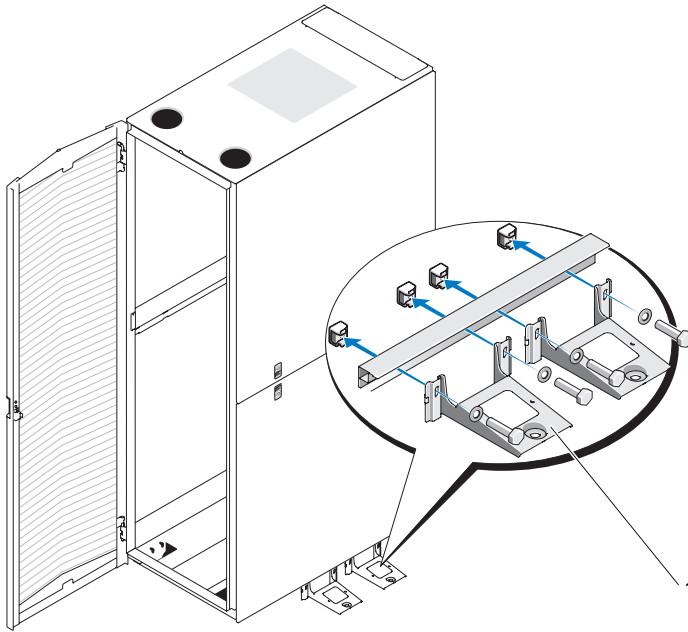


- 1 Stabilisateur avant (2)

Installation des stabilisateurs latéraux

- 1 Retirez les panneaux latéraux inférieurs (voir «Retrait des panneaux latéraux inférieurs» à la page 48).
- 2 Repérez les quatre trous situés à côté du rail inférieur du châssis (voir figure 1-14).
- 3 Placez chaque stabilisateur contre la base du châssis, en superposant les trous.

Figure 1-14. Installation des stabilisateurs latéraux



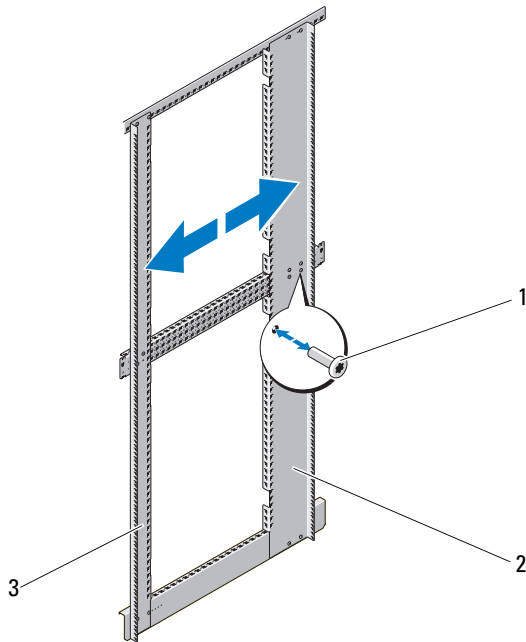
- 1 Stabilisateur latéral (2 de chaque côté)
- 4 Utilisez les boulons, rondelles et écrous à cage fournis pour fixer chaque stabilisateur à l'armoire rack, comme l'indiqué en figure 1-14.

Réglage des montants (facultatif)

Vous pouvez régler la position des montants pour accueillir des systèmes de profondeurs diverses.

- 1 Ouvrez les portes de l'armoire.
- 2 Retirez les vis situées en bas, au milieu et en haut du montant (voir figure 1-15).
- 3 Positionnez le montant à l'endroit voulu à l'intérieur de l'armoire et remettez les vis en place.

Figure 1-15. Réglage des montants



- 1 Vis
- 2 Montant arrière du châssis
- 3 Montant avant du châssis



REMARQUE : Si vous n'envisagez pas de joindre plusieurs armoires, vous pouvez dès à présent commencer à installer vos systèmes. Pour plus d'informations sur l'installation de composants dans l'armoire, reportez-vous aux étiquettes blanches numérotées situées à l'avant et à l'arrière des rails de montage.

Cheminement des câbles

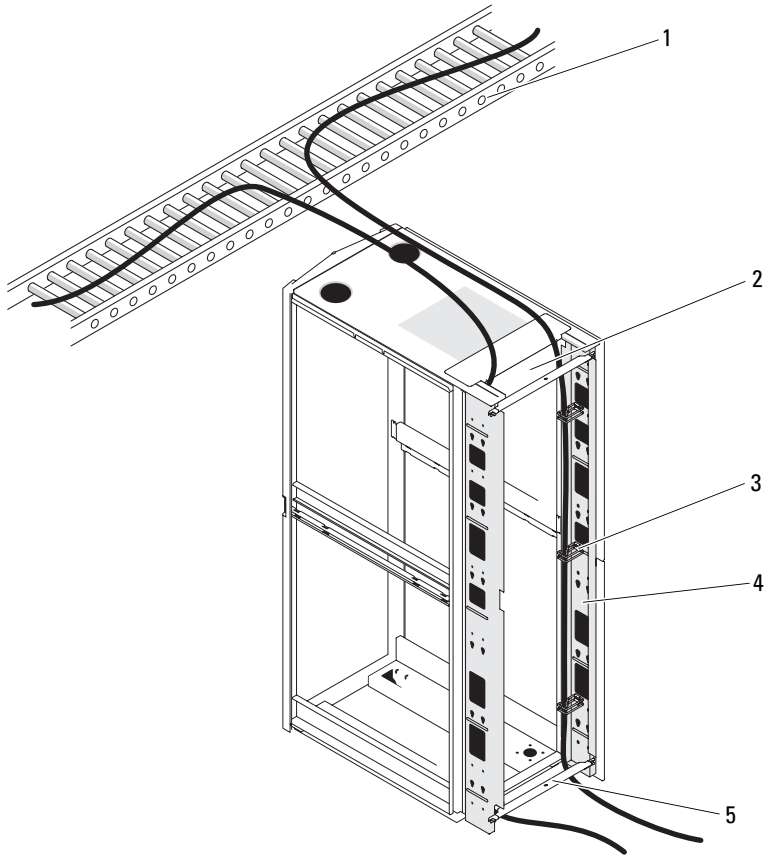
L'armoire 48-U comporte plusieurs éléments qui simplifient le passage des câbles (voir figure 1-16).

- Les canaux PDU (unité de distribution de l'alimentation) de chaque plateau de l'armoire permettent de passer les câbles d'alimentation des systèmes montés.
- Vous pouvez installer des serre-câbles sur les canaux PDU pour éviter que les câbles n'encombrent l'armoire ou qu'ils ne s'emmêlent.

Dans une configuration standard, vous pouvez acheminer les câbles hors du rack de deux façons :

- Via la sortie câbles située en bas des portes arrière (figure 1-16).
- Via la sortie réglable située en haut de l'armoire et vers un chemin de câbles (figure 1-16).

Figure 1-16. Options d'acheminement des câbles



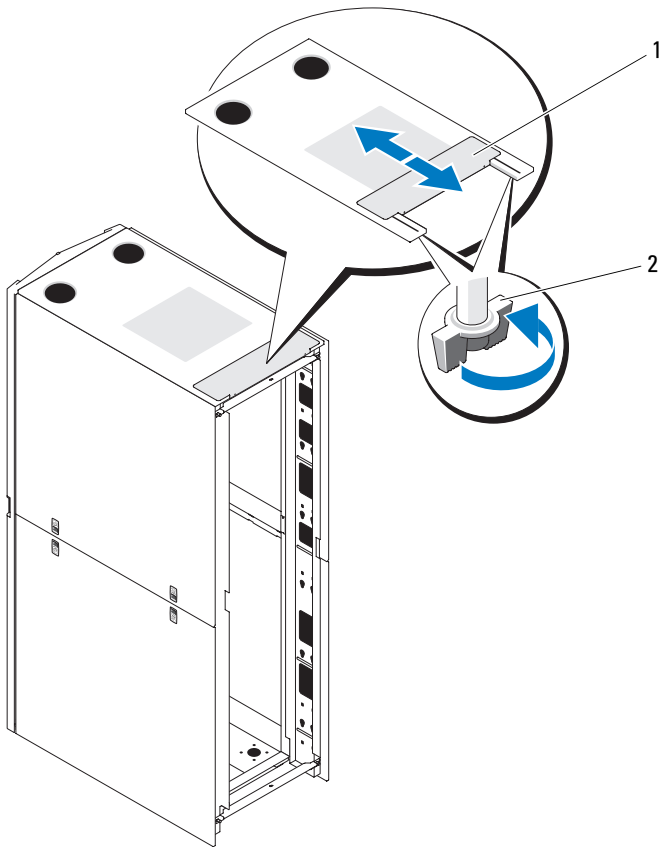
- | | | | |
|---|--------------------------|---|-------------------------------|
| 1 | Chemin de câbles | 2 | Sortie câbles supérieure |
| 3 | Serre-câbles | 4 | Canaux PDU (2 de chaque côté) |
| 5 | Sortie câbles inférieure | | |

Ouverture et fermeture de la sortie câbles supérieure

Vous pouvez utiliser la sortie câbles supérieure pour acheminer les câbles vers un chemin de câbles.

- 1** Ouvrez les portes arrière.
- 2** Dévissez les écrous à oreilles situés sous le couvercle de la sortie câbles (figure 1-17).
- 3** Faites glisser le couvercle de la sortie de câbles vers l'avant de l'armoire.
- 4** Après avoir acheminé les câbles vers le haut de l'armoire, refermez le couvercle en le faisant glisser vers l'arrière. Fixez le couvercle à l'aide des écrous à oreilles.

Figure 1-17. Ouverture et fermeture de la sortie câbles supérieure



1 Couvercle de la sortie câbles

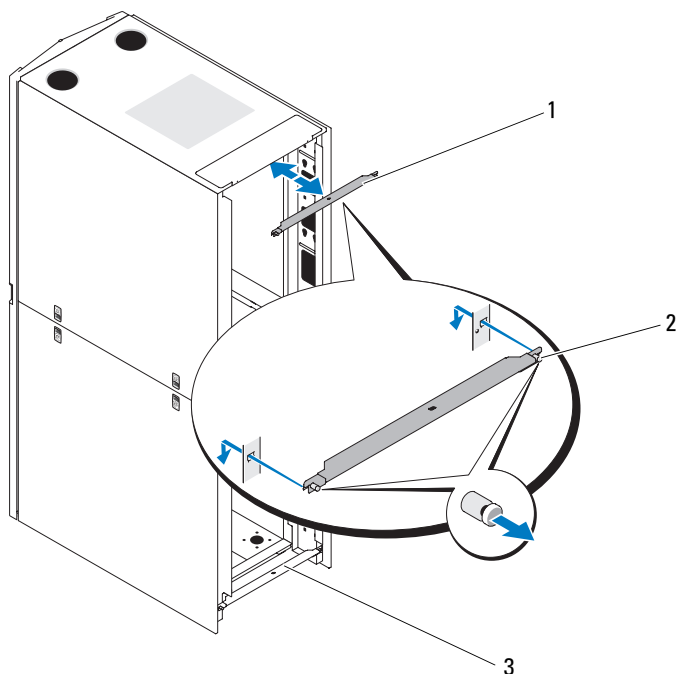
2 Écrou à oreilles (2)

Retrait et installation des barres de stabilisation des portes arrière

Vous pouvez retirer les barres de stabilisation inférieure et supérieure des portes arrière pour faciliter le passage des câbles.

- 1 Ouvrez les portes arrière.
- 2 Contractez et maintenez les pistons plongeurs de chaque côté de la barre, puis soulevez celle-ci pour la dégager de l'armoire (figure 1-18).
- 3 Après avoir acheminé les câbles, remettez les barres en place en alignant leurs languettes avec les trous correspondant de l'armoire. Poussez ensuite les barres jusqu'à ce que les pistons s'enclenchent.

Figure 1-18. Retrait et installation des barres de stabilisation des portes arrière



1 Barre de stabilisation de la porte (supérieure)

2 Piston plongeur (2 par barre)

3 Barre de stabilisation de la porte (inférieure)

Couplage de deux armoires

⚠ AVERTISSEMENT : Compte tenu du poids et de la taille des armoires racks, n'essayez pas de les assembler sans l'aide d'une autre personne.

- 1 Retirez les deux armoires de leur emballage et installez-les.
- 2 Retirez le kit de couplage de son emballage (figure 1-19).

Contenu du kit :

- Un joint de garniture
- Quatre supports de couplage

Figure 1-19. Kit de couplage d'armoires



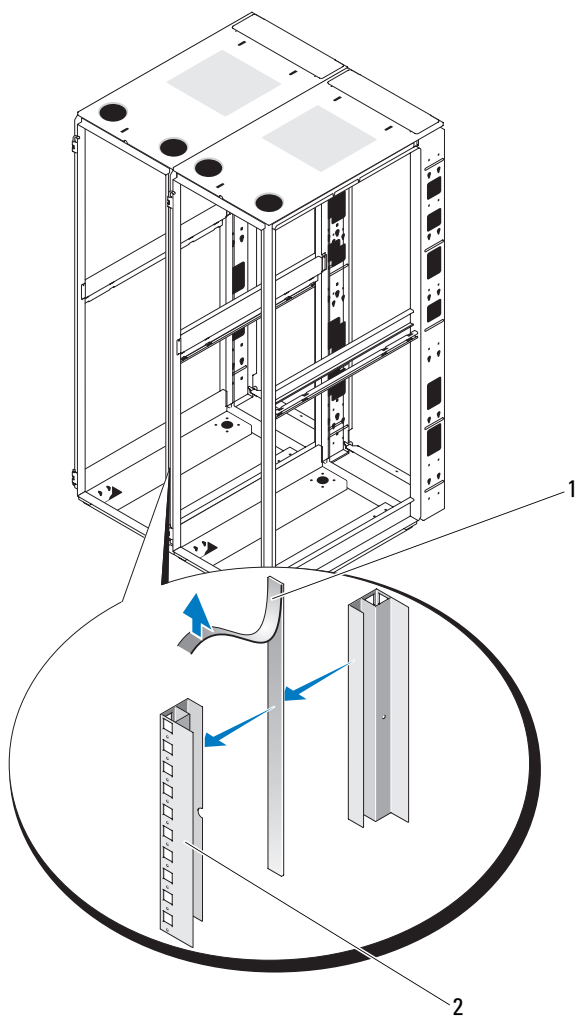
1 Joint de garniture

2 Support de couplage (4)

- 3 Retirez les portes et les panneaux latéraux des deux armoires. Voir «Retrait de la porte avant» à la page 43, «Ouverture et retrait des portes arrière» à la page 44 et «Retrait et réinstallation des panneaux latéraux» à la page 46.
- 4 Coupez un morceau de joint de garniture et retirez l'adhésif de protection. Appliquez la bande sur le châssis de l'une des armoires en suivant le point de contact avec l'armoire adjacente (figure 1-20).

REMARQUE : Le choix de l'armoire où vous placez les joints n'a pas d'importance. L'important est qu'ils protègent chaque armoire des rayures.

Figure 1-20. Installation du joint de garniture

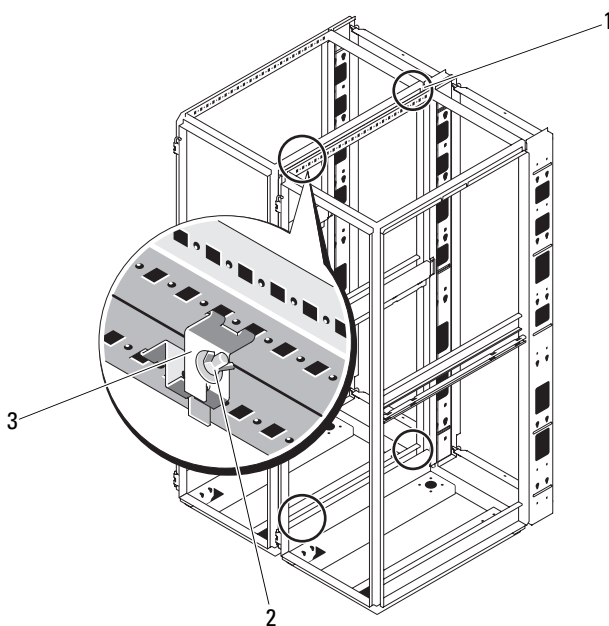


1 Joint de garniture

2 Châssis de l'armoire

- 5** Fixez les supports de couplage.
- a** Positionnez les deux racks côte à côte.
 - b** Ajustez les pieds réglables pour que les armoires soient parallèles et sur le même plan horizontal. Pour plus d'instructions, voir «Ajustement des pieds réglables» à la page 59.
 - c** Pour installer les supports de couplage sur les armoires accrochez-les aux trous carrés situés à l'intérieur et à côté des montants des châssis, puis vissez-les à l'aide des écrous à oreilles (figure 1-21).

Figure 1-21. Couplage de deux armoires



- 1 Emplacements des supports de couplage
- 3 Support de couplage (4)

2 Écrous à oreilles

Dell PowerEdge Rack-
Gehäuse

Installationsanleitung

Anmerkungen, Vorsichtshinweise und Warnungen



ANMERKUNG: Eine ANMERKUNG macht auf wichtige Informationen aufmerksam, mit denen Sie den Computer besser einsetzen können.



VORSICHTSHINWEIS: Ein VORSICHTSHINWEIS macht aufmerksam auf mögliche Beschädigung der Hardware oder Verlust von Daten bei Nichtbefolgung von Anweisungen.



WARNUNG: Durch eine WARNUNG werden Sie auf Gefahrenquellen hingewiesen, die materielle Schäden, Verletzungen oder sogar den Tod von Personen zur Folge haben können.

Die in diesem Dokument enthaltenen Informationen können ohne Vorankündigung geändert werden.
© 2010 Dell Inc. Alle Rechte vorbehalten.

Eine Vervielfältigung oder Wiedergabe dieser Materialien in jeglicher Weise ohne vorherige schriftliche Genehmigung von Dell Inc. ist strengstens untersagt.

In diesem Text verwendete Marken: Dell™, das DELL Logo und PowerEdge™ sind Marken von Dell Inc.

Andere in diesem Dokument möglicherweise verwendete Marken und Handelsnamen beziehen sich auf die entsprechenden Eigentümer oder deren Produkte. Dell Inc. erhebt keinen Anspruch auf Markenzeichen und Handelsbezeichnungen mit Ausnahme der eigenen.

Inhalt

Sicherheitshinweise	77
SICHERHEIT: Einbauen von Systemen im Rack	77
Anleitung für die Rackmontage	78
Rack-Spezifikationen	78
Bevor Sie beginnen	78
Ablauf der Installation	79
Empfohlene Werkzeuge und Zubehör	80
Entfernen und Installieren der Racktüren	80
Entfernen und Installieren der Seitenteile	84
Umgekehrtes Einbauen der vorderen Tür (optional)	89
Einstellen der höhenverstellbaren Rackfüße	96
Anbringen der Stabilisatoren	98
Anpassen der Rackstützen (optional)	101
Verlegen der Kabel	102
Zwei Racks verbinden	107

Sicherheitshinweise

Beachten Sie die nachfolgenden Sicherheitshinweise, um Ihre eigene Sicherheit zu gewährleisten und eine Beschädigung des Systems und der Arbeitsumgebung zu vermeiden. Die vollständigen wichtigen Informationen zu Sicherheitsanforderungen und Betriebsvorschriften finden Sie in den Sicherheitshinweisen, die Sie mit dem System erhalten haben. Die Garantieinformationen befinden sich entweder dort oder in einem gesonderten Dokument.

SICHERHEIT: Einbauen von Systemen im Rack

Folgende Vorsichtsmaßnahmen dienen der Stabilität und Sicherheit des Racks. Spezifische Vorsichtshinweise und Sicherheitsmaßnahmen finden Sie auch in der mit dem System gelieferten Dokumentation zur Rackinstallation.

Systeme gelten als Komponenten in einem Rack. Der Begriff „Komponente“ bezieht sich auf alle Systeme sowie auf verschiedene Peripheriegeräte oder unterstützende Hardware.



VORSICHTSHINWEIS: Anleitungen für rackmontierte Systeme:


- Das Rack-Kit ist nur für den gelieferten Rackschrank zugelassen. Es liegt in Ihrer Verantwortung, dafür zu sorgen, dass die Installation des Systems in einem anderen Rack allen zutreffenden Standards entspricht. Dell übernimmt keinerlei Haftung und Gewährleistung bezüglich der Kombination des Systems mit einem anderen Rack.
- Bringen Sie alle vorderen und seitlichen Stabilisatoren an, bevor Sie das System in einem Rack installieren. Wenn Sie die Stabilisatoren nicht anbringen, kann das Rack umkippen.
- Setzen Sie die Komponenten immer von unten nach oben ein und setzen Sie immer zuerst die schwersten Elemente ein.
- Überlasten Sie nicht den Wechselstromkreis für das Rack.
- Stellen Sie sich nicht auf Komponenten im Rack und treten Sie nicht darauf.

Anleitung für die Rackmontage






Diese Installationsanleitung enthält Anweisungen für geschulte Servicetechniker zur Installation eines Rackgehäuses. Sie erfahren unter anderem, wie Sie das Rack montieren, zwei Racks verbinden sowie Kabel durch das Rack verlegen. Das Rack kann mit den empfohlenen Werkzeugen installiert werden.

Bevor Sie mit der Installation beginnen, lesen Sie diese gesamte Anleitung sorgfältig durch.

Rack-Spezifikationen

-  **VORSICHTSHINWEIS:** Das Rack erfüllt die folgenden Spezifikationen: American National Standards Institute (ANSI), Consumer Electronics Association (CEA) Standard EIA/CEA-310-E, International Electrotechnical Commission (IEC) 60297-3-100 und Deutsche Industrie Norm (DIN) 41494.

Bevor Sie beginnen

-  **WARNUNG:** Lesen Sie aufmerksam den Abschnitt „Wichtige Sicherheitshinweise“ sowie die Sicherheitsanweisungen, die Sie mit dem Rack erhalten haben.
-  **WARNUNG:** Wenn Sie mehrere Systeme in einem Rack installieren, schließen Sie alle Maßnahmen für ein System ab, bevor Sie das nächste System installieren.
-  **WARNUNG:** Rackschränke können sehr schwer sein und leicht wegrollen. Die Schränke haben keine Bremsen. Bewegen Sie ein Rack nur mit größter Vorsicht. Fahren Sie die höhenverstellbaren Füße ein, bevor Sie ein Rack bewegen. Vermeiden Sie lange bzw. steile Neigungen, unebene Oberflächen oder Rampen, auf denen Sie die Kontrolle über das Rack verlieren könnten. Fahren Sie die höhenverstellbaren Füße aus, damit das Rack abgestützt wird und nicht wegrollen kann.
-  **WARNUNG:** Rollen Sie das Rack nicht über unebene oder grobe Oberflächen. Harte Stöße auf die Rollen können dazu führen, dass sie brechen, sodass das Rack instabil wird und womöglich umkippt.
-  **WARNUNG:** Versuchen Sie nicht, das Rack zu bewegen, wenn Komponenten darin installiert sind. Wenn Sie ein voll bestücktes Rack auf einem leicht unebenen Untergrund verschieben, könnte das Rack aus dem Gleichgewicht geraten und womöglich umkippen.

Wichtige Sicherheitshinweise

Beachten Sie beim Einbau des Systems im Rack die Sicherheitsmaßnahmen in den folgenden Unterabschnitten.



WARNUNG: Befolgen Sie die in diesem Dokument angegebenen Vorgehensweisen genau, um sich selbst und andere Personen nicht zu gefährden. Das System ist möglicherweise sehr groß und schwer. Sie sollten die Installation sorgfältig vorbereiten und planen, um Verletzungen vorzubeugen. Dies gilt besonders, wenn Systeme weiter oben im Rack installiert werden.

Rackstabilisatoren



WARNUNG: Bevor Sie Systeme in einem Rack einbauen, installieren Sie bei freistehenden Racks die vorderen und seitlichen Stabilisierungsstandfüße und bei Racks, die mit anderen Racks verbunden sind, die vorderen Stabilisierungsstandfüße. Wenn vor dem Einsetzen von Systemen in einem Rack keine Stabilisatoren angebracht werden, kann das Rack unter Umständen kippen und Verletzungen verursachen. Befestigen Sie daher immer zuerst die Stabilisatoren, bevor Sie Komponenten im Rack installieren.



WARNUNG: Wenn Sie Systeme in einem Rack installiert haben, ziehen Sie niemals mehr als ein System gleichzeitig auf den Laufschienen aus dem Rack. Durch das Gewicht von mehr als einem herausgezogenen System kann das Rack umkippen und Verletzungen verursachen.

Die Stabilisatoren verhindern, dass das Rack umkippt, wenn ein System oder eine andere Komponente auf den Laufschienen vollständig aus dem Rack gezogen wird.

Ablauf der Installation

Die Installation eines Rackschranks umfasst die folgenden Aufgaben:

- 1 Entfernen und Wiederanbringen der Racktüren
- 2 Entfernen und Wiederanbringen der Seitenteile
- 3 Umgekehrtes Einbauen der vorderen Tür und Plakette (optional)
- 4 Einstellen der höhenverstellbaren Füße
- 5 Anbringen der Stabilisatoren
- 6 Anpassen der Rackstützen (optional)
- 7 Verlegen der Kabel im Rack
- 8 Verbinden zweier Racks (optional)

Empfohlene Werkzeuge und Zubehör

Für die Installation des Racks benötigen Sie eventuell folgende Werkzeuge und Zubehörteile:

- Kreuzschlitzschraubendreher der Größe 2
- Schlitzschraubendreher
- 12-mm-Schraubenschlüssel
- Spitzzange
- 4-mm-Inbusschlüssel (wenn Sie die vordere Tür so anbringen möchten, dass sie sich in entgegengesetzter Richtung öffnen lässt)
- Schlüssel für die Racktüren und Seitenteile
- 13-mm-Schraubenschlüssel (um das Rack von der Palette zu entfernen)
- 17-mm-Schraubenschlüssel (um das Rack von der Palette zu entfernen)

Entfernen und Installieren der Racktüren



WARNUNG: Da die Racktüren sehr groß und schwer sind, versuchen Sie niemals, die Türen ohne fremde Hilfe abzunehmen oder einzubauen.



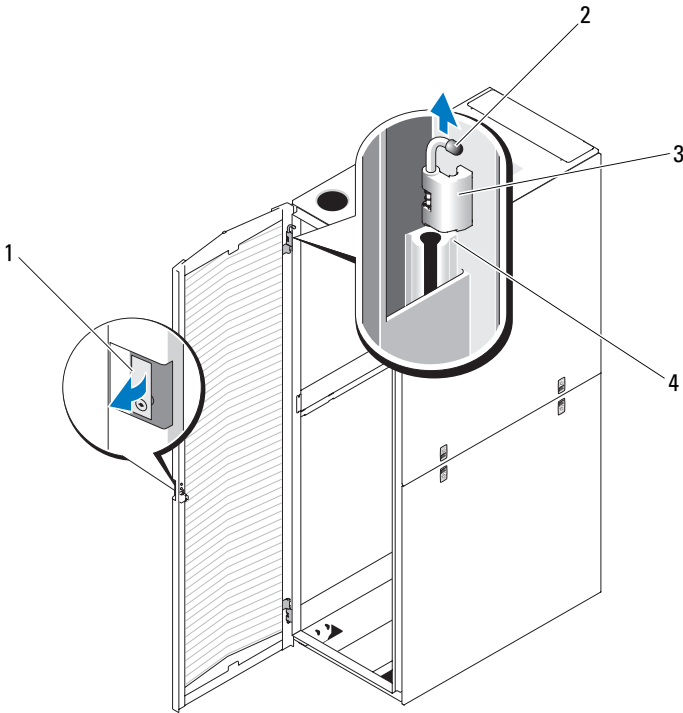
WARNUNG: Legen Sie die Türen flach auf den Boden, damit sie nicht umfallen und jemanden verletzen können.

Entfernen der vorderen Tür

- 1 Ziehen Sie an der Türverriegelung und öffnen Sie die vordere Tür vollständig (siehe Abbildung 1-1).
- 2 Halten Sie die Tür fest und ziehen Sie den Scharnierstift nach oben aus dem Scharnierstiftgehäuse heraus (siehe Abbildung 1-1).

Der Halteclip des Scharnierstifts verhindert, dass das Scharnier aus dem Scharniergehäuse gezogen werden kann.

Abbildung 1-1. Vordere Tür entfernen



- | | | | |
|---|------------------|---|-----------------------|
| 1 | Türverriegelung | 2 | Scharnierstift |
| 3 | Scharniergehäuse | 4 | Scharnierstiftgehäuse |

3 Halten Sie den aus dem Scharnierstiftgehäuse gezogenen Scharnierstift weiterhin fest und ziehen Sie die Tür vorsichtig vom Rack weg, sodass die Tür aus dem Scharniergehäuse gleitet.

4 Lassen Sie den Scharnierstift los.

5 Heben Sie die Tür nach oben an, sodass sie aus der unteren Scharnierleiste gleitet.



WARNUNG: Wegen der Größe und des Gewichts der Tür wird empfohlen, diese nach dem Abnehmen mit der Außenfläche nach oben flach hinzulegen.

6 Legen Sie die Tür flach und mit der Außenfläche nach oben hin, um Schäden an der Plakette und an der Beschichtung der Tür zu vermeiden.

Installieren der vorderen Tür

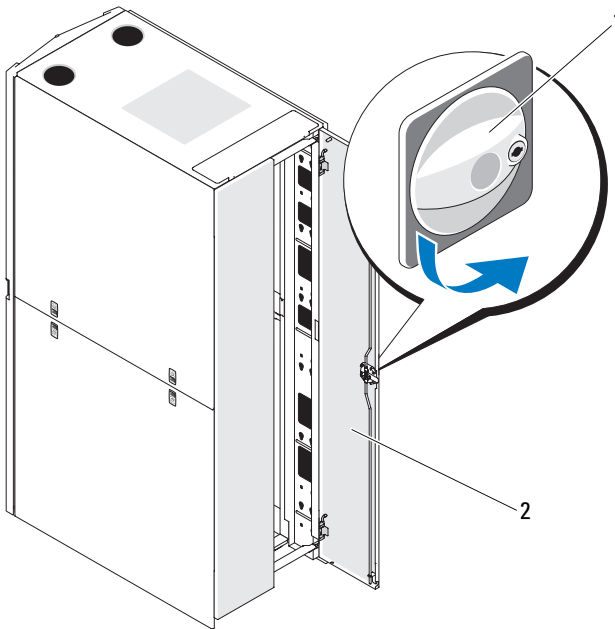
Um die Tür anzubringen, wiederholen Sie die Schritte zum Entfernen der Tür in der umgekehrten Reihenfolge.

Öffnen und Abnehmen der hinteren Türen

! **WARNUNG:** Da die Racktüren sehr groß und schwer sind, versuchen Sie niemals, die Türen ohne fremde Hilfe abzunehmen oder einzubauen.

- 1 Drehen Sie den Türgriff und öffnen Sie die hinteren Türen (siehe Abbildung 1-2).

Abbildung 1-2. Hintere Türen öffnen

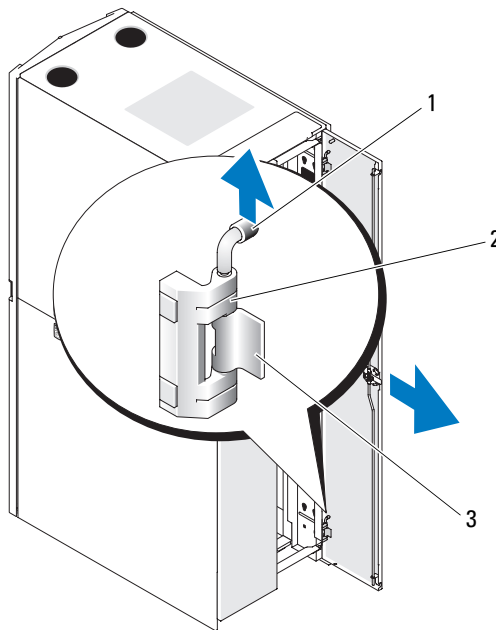


1 Türgriff

2 Hintere Türen (2)

- 2 Nehmen Sie die rechte hintere Tür ab.
- a Halten Sie die Tür fest und ziehen Sie den Stift des oberen Scharniers aus dem Scharnierstiftgehäuse der Tür (siehe Abbildung 1-3).
Wenn Sie den Stift aus dem Scharnierstiftgehäuse ziehen, ist ein Klicken zu hören. Die Scharnierstifte sind so konstruiert, dass sie nicht aus dem Scharniergehäuse gezogen werden können.
 - b Wiederholen Sie Schritt a für das untere Scharnier.
 - c Ziehen Sie die Tür von dem Rack weg.

Abbildung 1-3. Hintere Türen abnehmen



- 1 Scharnierstift
- 2 Scharniergehäuse
- 3 Scharnierstiftgehäuse



WARNUNG: Wegen der Größe und des Gewichts der Tür wird empfohlen, diese nach dem Abnehmen mit der Außenfläche nach oben flach hinzulegen.


- d Bewahren Sie die Tür mit der Außenfläche nach oben an einem sicheren Platz auf.
Wenn Sie die Tür flach und mit der Außenfläche nach oben hinlegen, vermeiden Sie Schäden an der Beschichtung der Tür.
- e Wiederholen Sie Schritt a bis Schritt d für die linke hintere Tür.


Installieren der hinteren Türen

Um die hinteren Türen anzubringen, wiederholen Sie die Schritte zum Entfernen der Türen in der umgekehrten Reihenfolge.

Entfernen und Installieren der Seitenteile

 **VORSICHTSHINWEIS:** Bei freistehenden Racks müssen die Seitenteile wieder angebracht werden, bevor Systeme im Rack betrieben werden, um die ausreichende Kühlung im Rack sicherzustellen.

 **ANMERKUNG:** Um die Stabilisatoren montieren zu können, müssen Sie die unteren Seitenteile abnehmen.

 **ANMERKUNG:** Für die Installation von Systemen in einem Rack ist es nicht absolut erforderlich, die Seitenteile abzunehmen. Allerdings lassen sich Gleit- und Stützschielen leichter einbauen, wenn die Seitenteile abgenommen wurden, und Sie können die vordere Tür so einbauen, dass sie sich in die entgegengesetzte Richtung öffnet.

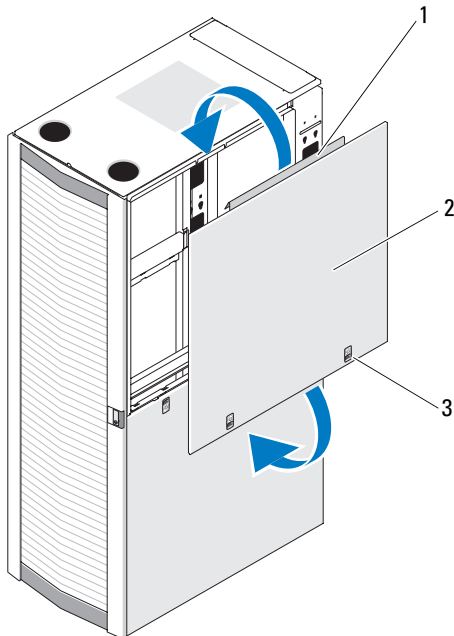
Entfernen der oberen Seitenteile

- 1 Ziehen Sie beide Verriegelungen nach oben und klappen Sie die untere Kante des Seitenteils weg vom Rack (siehe Abbildung 1-4).
- 2 Halten Sie das Seitenteil an beiden Seiten gut fest.
- 3 Heben Sie das Seitenteil nach oben, bis seine Lasche von der Oberseite des Racks gelöst ist.
- 4 Legen Sie das Seitenteil mit der Außenfläche nach oben an einen sicheren Ort, um Beschädigungen an der Beschichtung zu vermeiden.
- 5 Wiederholen Sie Schritt 1 bis Schritt 4 für das andere obere Seitenteil.

Wiedereinbauen der oberen Seitenteile

- 1 Heben Sie das obere Seitenteil auf das Rack. Haken Sie dabei die Lasche des Seitenteils über die Oberseite des Racks (siehe Abbildung 1-4).
- 2 Klappen Sie die untere Kante des Seitenteils zum Rack hin.
- 3 Drücken Sie das Seitenteil in das Rack, bis beide Sperrklinken einrasten.

Abbildung 1-4. Obere Seitenteile anbringen



- 1 Seitenteillasche
- 3 Sperrklinken (2)

- 2 Obere Seitenteile (2)

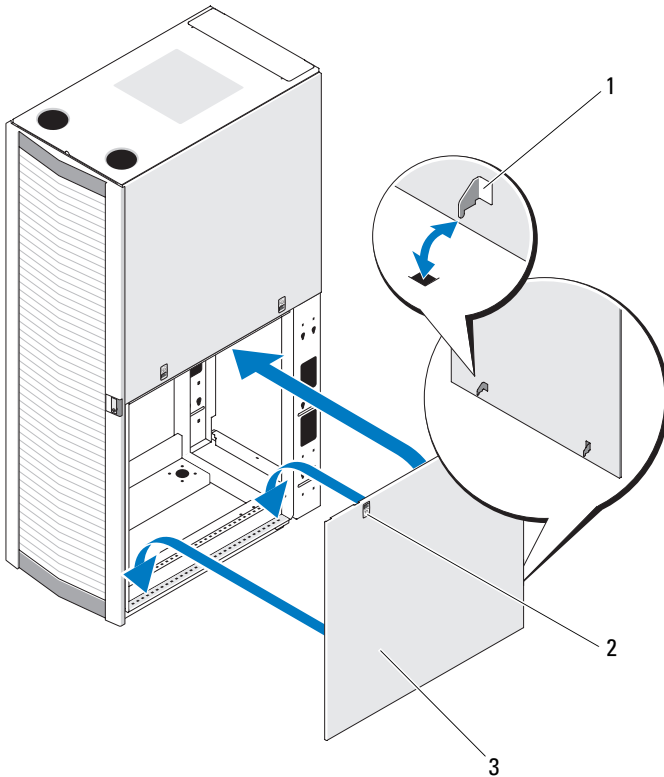
Entfernen der unteren Seitenteile

- 1** Ziehen Sie beide Sperrklinken nach unten und lassen Sie das Seitenteil oben etwas nach außen klappen.
- 2** Fassen Sie beide Kanten des Seitenteils fest an.
- 3** Heben Sie das Seitenteil nach oben, bis die Haken des Seitenteils nicht mehr in den Öffnungen unten am Rackrahmen sitzen.
- 4** Legen Sie das Seitenteil mit der Außenfläche nach oben an einen sicheren Ort, um Beschädigungen an der Beschichtung zu vermeiden.
- 5** Wiederholen Sie Schritt 1 bis Schritt 4 für das andere untere Seitenteil.

Wiedereinbauen der unteren Seitenteile

- 1** Setzen Sie das Seitenteil in das Rack. Achten Sie darauf, dass der hintere Haken am Seitenteil in die hintere Öffnung unten am Rackrahmen und der vordere Haken am Seitenteil in die entsprechende Öffnung auf der Vorderseite des Rackrahmens eingesetzt wird (siehe Abbildung 1-5).
- 2** Klappen Sie das obere Ende des Seitenteils zum Rack hin.
- 3** Drücken Sie das Seitenteil in das Rack, bis beide Sperrklinken einrasten.

Abbildung 1-5. Untere Seitenteile anbringen



- 1 Haken am Seitenteil (2)
- 2 Sperrklinken (2)
- 3 Untere Seitenteile (2)



ANMERKUNG: Die nachstehend beschriebenen Vorgehensweise beziehen sich nur auf Racks mit übermäßiger Bautiefe.

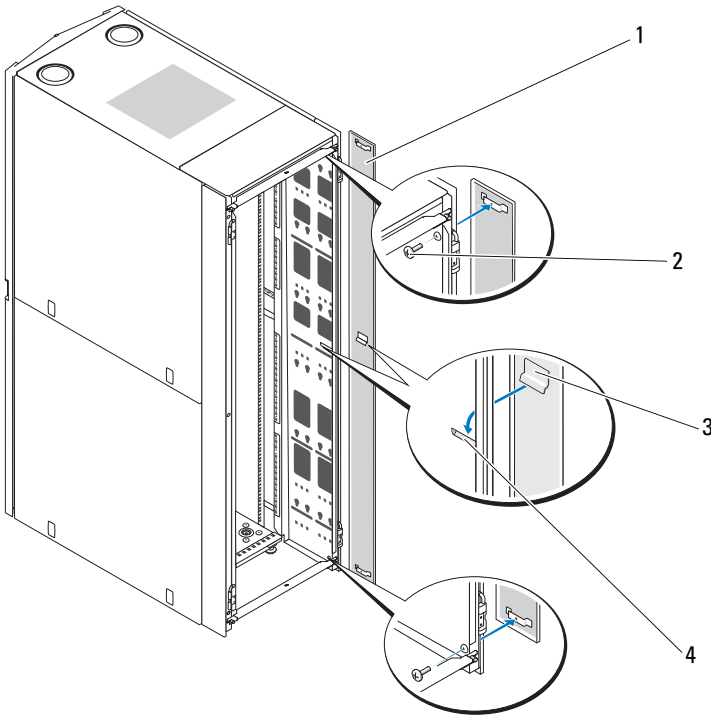
Entfernen des hinteren Seitenteils

- 1 Lösen Sie an der Rack-Innenseite die Schrauben (2), mit denen das hintere Seitenteil befestigt ist.
- 2 Heben Sie das hintere Seitenteil an und aus dem Rack heraus.

Wiedereinbauen des hinteren Seitenteils

- 1 Setzen Sie den mittig am hinteren Seitenteil angebrachten Montagewinkel in den Schlitz am Rack-PDU-Schacht ein.
- 2 Sichern Sie das hintere Seitenteil an der Ober- und Unterseite mit Schrauben.

Abbildung 1-6. Wiedereinbauen der hinteren Seitenteile



1 Hinteres Seitenteil

2 Schraube (2)

3 Montagewinkel

4 Schlitz im PDU-Schacht

Umgekehrtes Einbauen der vorderen Tür (optional)

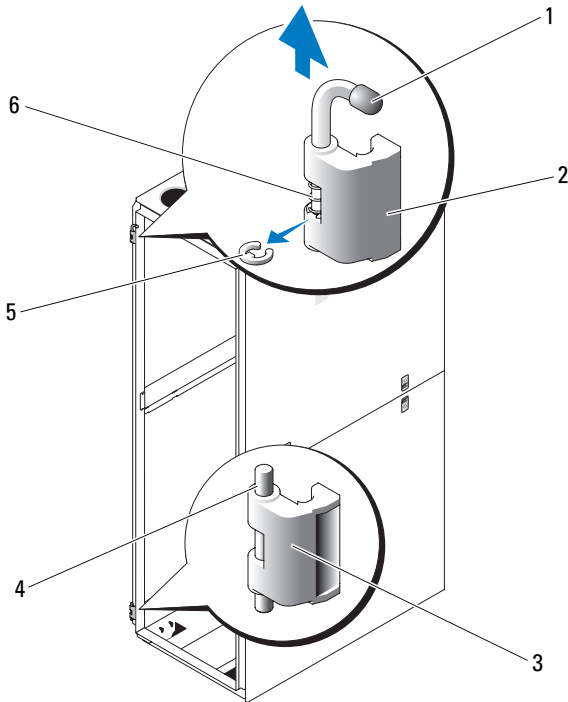


ANMERKUNG: Nehmen Sie mit einem 4-mm-Inbusschlüssel die Scharniergehäuse der vorderen Tür vom Rack ab. Montieren Sie die Gehäuse dann so, dass sie ihrer ursprünglichen Einbauposition gegenüberliegen. Eventuell benötigen Sie eine Trittleiter, um den Inbusbolzen erreichen zu können, mit dem das obere Scharniergehäuse an dem Rack befestigt ist.

Führen Sie die folgenden Schritte durch, um den Anschlag der Tür so zu ändern, dass sie sich in entgegengesetzter Richtung öffnet:

- 1** Nehmen Sie die vordere Tür ab (siehe „Entfernen der vorderen Tür“ auf Seite 80).
- 2** Entfernen Sie die Seitenteile (siehe „Entfernen und Installieren der Seitenteile“ auf Seite 84).
- 3** Drehen Sie das obere Scharniergehäuse um.
 - a** Ziehen Sie den Scharnierstift vorsichtig nach oben, sodass Sie auf den Halteclip zugreifen können (siehe Abbildung 1-7).
 - b** Entfernen Sie den Halteclip mit der Spitzzange und lassen Sie den Scharnierstift aus dem Scharniergehäuse gleiten.

Abbildung 1-7. Scharniere für die vordere Tür abnehmen

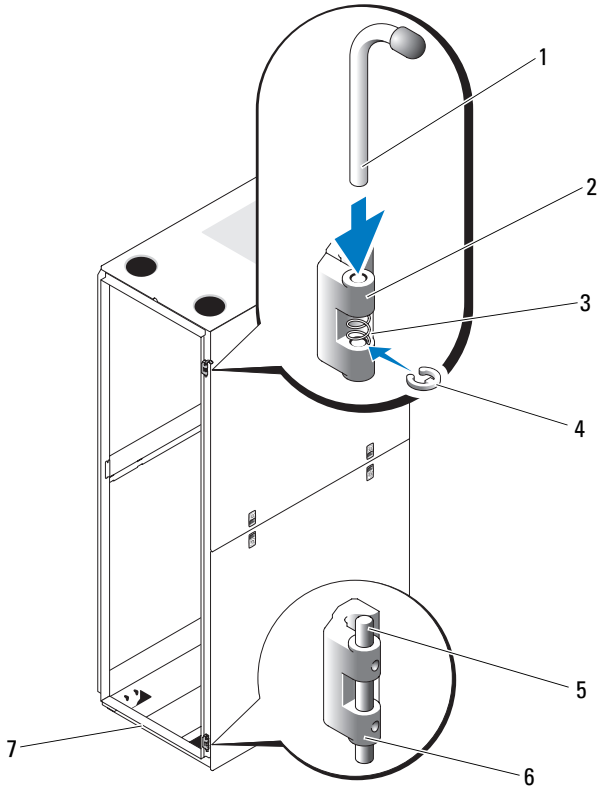


- | | | | |
|---|-------------------|---|------------------|
| 1 | Scharnierstift | 2 | Oberes Scharnier |
| 3 | Unteres Scharnier | 4 | Scharnierleiste |
| 5 | Halteklammer | 6 | Scharnierfeder |

- c** Nehmen Sie die Scharnierfeder aus dem Scharniergehäuse.
- d** Bewahren Sie den Scharnierstift, den Halteclip und die Feder gut auf.
- e** Entfernen Sie mit einem 4-mm-Inbusschlüssel die Inbusbolzen, mit deren Hilfe das Scharniergehäuse am Rack befestigt ist. Bewahren Sie die Bolzen zusammen mit dem Scharnierstift, dem Halteclip und der Scharnierfeder auf.

- f Drehen Sie das Scharniergehäuse um 180 Grad, sodass die Scharnierstiftlöcher sich auf der rechten Seite des Scharnierlochs befinden (siehe Abbildung 1-8).

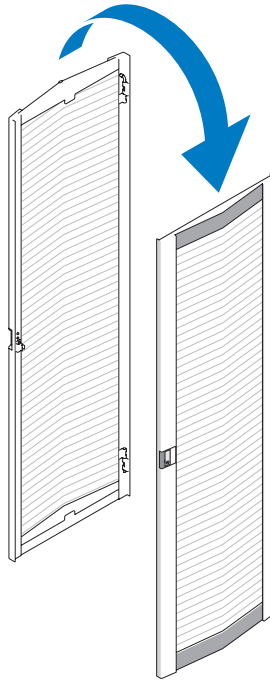
Abbildung 1-8. Oberes und unteres Scharnier umdrehen



- | | | | |
|---|-----------------|---|--------------------------|
| 1 | Scharnierstift | 2 | Oberes Scharniergehäuse |
| 3 | Feder | 4 | Halteklemme |
| 5 | Scharnierleiste | 6 | Unteres Scharniergehäuse |
| 7 | Rackvorderseite | | |

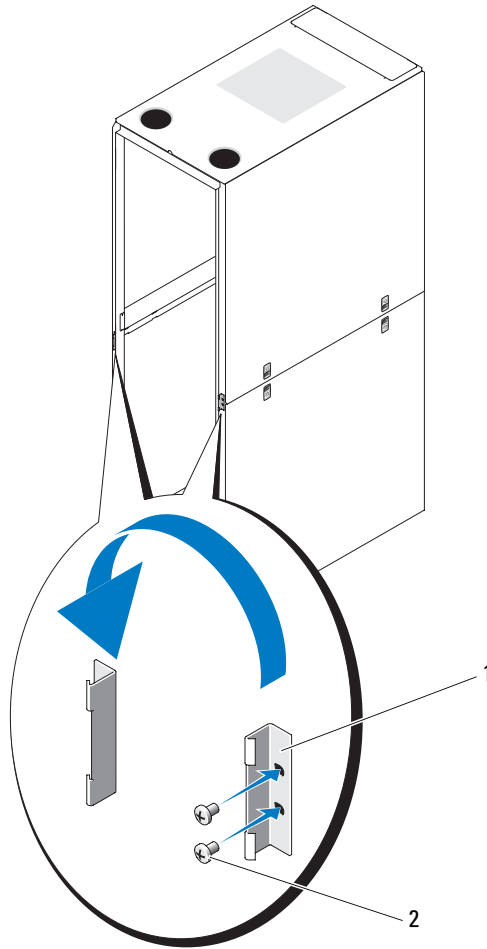
- g** Suchen Sie die oberen Bolzenlöcher auf der rechten Rackseite. Befestigen Sie darin das Scharniergehäuse mit den Inbusbolzen.
 - h** Setzen Sie die Feder zwischen dem oberen und dem unteren Scharnierstiftloch des Scharniergehäuses ein.
 - i** Setzen Sie den Scharnierstift in das Scharniergehäuse ein.
 - j** Fügen Sie den Halteclip unterhalb der Feder in das Scharnier ein.
- 4** Drehen Sie das untere Scharniergehäuse um.
- a** Entfernen Sie die Inbusbolzen, mit deren Hilfe das Scharniergehäuse am Rack befestigt ist. Bewahren Sie die Bolzen gut auf.
 - b** Drehen Sie das Scharniergehäuse um 180 Grad, sodass die Scharnierleisten sich auf der anderen Seite des Scharniergehäuses befinden (siehe Abbildung 1-8).
 - c** Suchen Sie die unteren Bolzenlöcher auf der rechten Rackseite. Befestigen Sie darin das Scharniergehäuse mit den Inbusbolzen.
- 5** Drehen Sie die vordere Tür um 180 Grad, sodass deren Scharnierstiftgehäuse sich auf der rechten Seite befinden (siehe Abbildung 1-9).

Abbildung 1-9. Vordere Tür umdrehen



- 6** Hängen Sie die vordere Tür wieder ein, indem Sie die unter „Entfernen der vorderen Tür“ auf Seite 80 aufgeführten Schritte in umgekehrter Reihenfolge ausführen.
- 7** Drehen Sie den Verriegelungshebel um.
 - a** Entfernen Sie die beiden Kreuzschlitzschrauben, mit denen der Verriegelungshebel am vertikalen Rahmenteil befestigt ist.
 - b** Entfernen Sie den Verriegelungshebel und drehen Sie ihn um 180 Grad.
 - c** Bringen Sie den Verriegelungshebel wieder am vertikalen Rahmenteil des anderen Racks an. Richten Sie dabei die Löcher der Verriegelung nach den Löchern am Rahmen aus und bringen Sie die zwei Kreuzschlitzschrauben wieder an. Siehe Abbildung 1-10.

Abbildung 1-10. Verriegelungshebel an der vorderen Tür umkehren

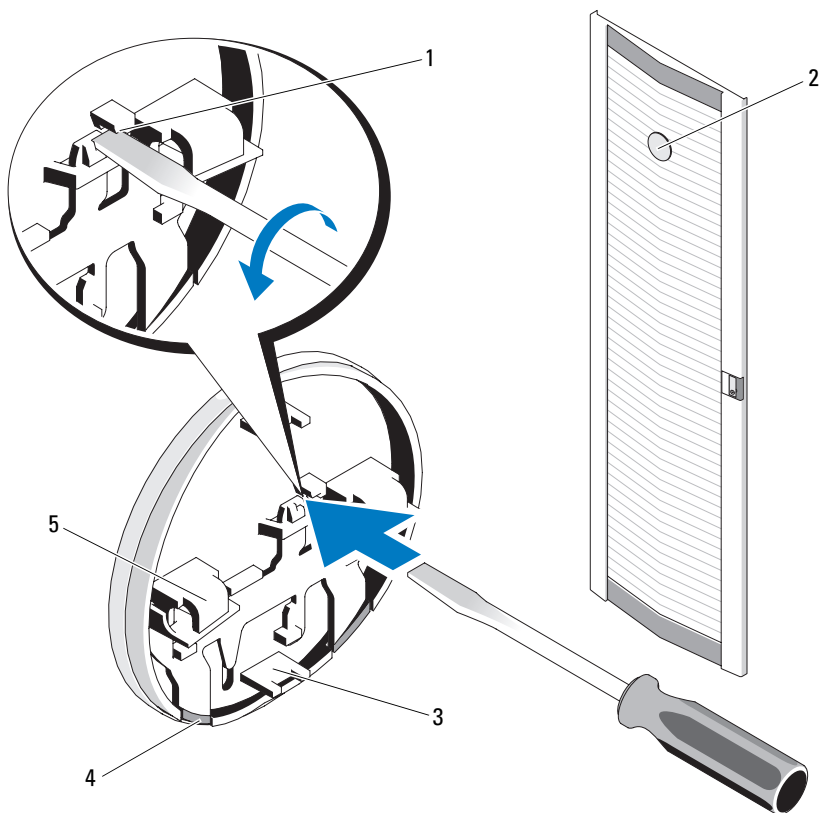


1 Verriegelungshebel

2 Schrauben

- 8** Drehen Sie die auf der vorderen Tür angebrachte Plakette um.
- a** Öffnen Sie die vordere Tür.
 - b** Führen Sie von der Innenseite der Tür aus einen Schlitzschraubendreher in die Verriegelungskerbe der Plakette ein (siehe Abbildung 1-11).

Abbildung 1-11. Plakette auf der vorderen Tür umdrehen




- | | | | |
|---|---------------------------------|---|--------------------------------|
| 1 | Verriegelungskerbe der Plakette | 2 | Plakette auf der vorderen Tür |
| 3 | Mittlere Laschen (2) | 4 | Halteklammern der Plakette (2) |
| 5 | Haken an der Plakette (2) | | |


- c Drücken Sie den Schraubendreher so weit wie möglich in die Kerbe und drehen Sie ihn gegen den Uhrzeigersinn.
- d Hebeln Sie die Plakette ab und entfernen Sie sie von der Tür.
- e Drehen Sie die Plakette um 180 Grad, damit sie nach dem Wiedereinbau korrekt gelesen werden kann.
- f Machen Sie den sechsten horizontalen Riegel von der Oberseite der Tür aus ausfindig und schieben Sie die Haken der Plakette darüber. Richten Sie dabei die mittleren Laschen der Plakette am vertikalen Riegel der Tür aus.
- g Drücken Sie die Halteklammern der Plakette nach oben, bis sie geschlossen sind und die Plakette gesichert ist.


Einstellen der höhenverstellbaren Rackfüße

 **WARNUNG:** Lesen Sie die folgenden Anweisungen komplett durch, bevor Sie mit dem Anpassen der höhenverstellbaren Füße beginnen.

Das Rack enthält vier höhenverstellbare Füße, die an den Ecken des Racks befestigt werden. Mit den Füßen können Sie das Rack waagrecht ausrichten, wenn es auf einem leicht unebenen Untergrund steht. Bevor Sie die Systeme im Rack installieren, montieren Sie die Füße und passen Sie sie an den Untergrund an. Befolgen Sie beim Ausrichten des Racks diese Richtlinien.

 **WARNUNG:** Sorgen Sie beim Anpassen der Füße dafür, dass die Rollen an den vier Ecken des Racks nicht mehr als 9,5 mm vom Boden abgehoben sind. Falls beim Anpassen der höhenverstellbaren Füße mehr als 9,5 mm Zwischenraum zwischen dem Boden und den Rollen entsteht, fahren Sie *langsam* die Füße ein und stellen Sie das Rack an einen anderen Stellplatz, an dem die höhenverstellbaren Füße nur wenig angepasst werden müssen.

 **WARNUNG:** Verstellen Sie die Füße, bis jeder Fuß fest auf dem Boden aufliegt. Nur bei festem Bodenkontakt können die einzelnen Füße das Gewicht des Racks tragen und ein Wackeln des Racks wird verhindert. Wenn nicht alle höhenverstellbaren Füße festen Bodenkontakt haben, könnte das Rack aus dem Gleichgewicht geraten und umkippen.

 **WARNUNG:** Versuchen Sie nicht, das Rack mit ausgefahrenen Füßen zu verschieben. Fahren Sie grundsätzlich zuerst die Füße ein, bevor Sie das Rack bewegen. Bei ausgefahrenen Füßen könnte das Rack umkippen, wenn Sie es verschieben wollen.



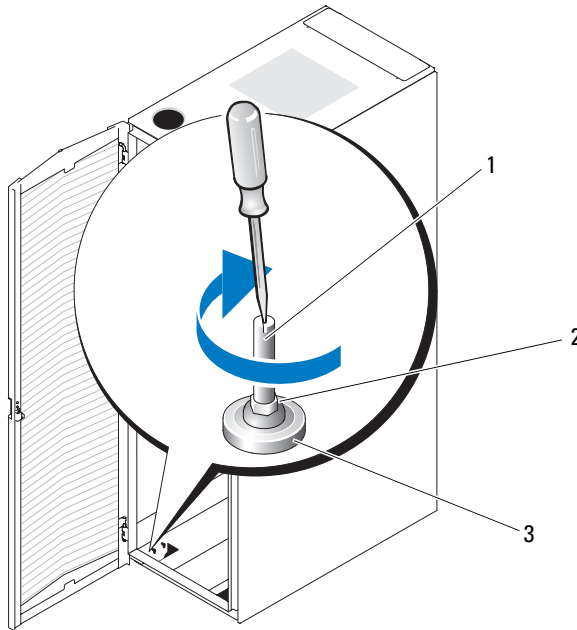
WARNUNG: Vor dem Installieren der Systeme sollten Sie grundsätzlich das Rack ausrichten und die Stabilisatoren befestigen. Ein voll beladenes Rack könnte umkippen, wenn es auf einem unebenen Untergrund steht und das Gewicht des Rack nicht auf den höhenverstellbaren Füßen und Stabilisatoren lastet.



ANMERKUNG: Ist das Rack nicht korrekt ausgerichtet, können die Stabilisatoren eventuell nicht angebracht werden. Ohne Stabilisatoren kann das Rack jedoch umkippen.

- 1 Senken Sie mit einem Schraubendreher den Fuß, bis er auf dem Boden aufliegt.
- 2 Wenn Sie den Fuß noch weiter herausfahren möchten, drehen Sie die Sechskantmutter mit einem 12-mm-Schraubenschlüssel im Uhrzeigersinn fest (siehe Abbildung 1-12).
- 3 Wiederholen Sie Schritt 1 und 2 für die übrigen höhenverstellbaren Füße.
- 4 Überprüfen Sie, ob das Rack eben und stabil steht.

Abbildung 1-12. Höhenverstellbare FüÙe anpassen



- 1 Schaft des höhenverstellbaren Fußes 2 Sechskantmutter
3 Nivellierungsblock

Anbringen der Stabilisatoren

⚠️ WARNUNG: Werden Systeme in einem Rack installiert, an dem die vorderen und seitlichen Stabilisatoren fehlen, kann das Rack umkippen, was unter Umständen schwere Verletzungen nach sich ziehen kann. Befestigen Sie daher immer zuerst die Stabilisatoren, bevor Sie Komponenten im Rack installieren.

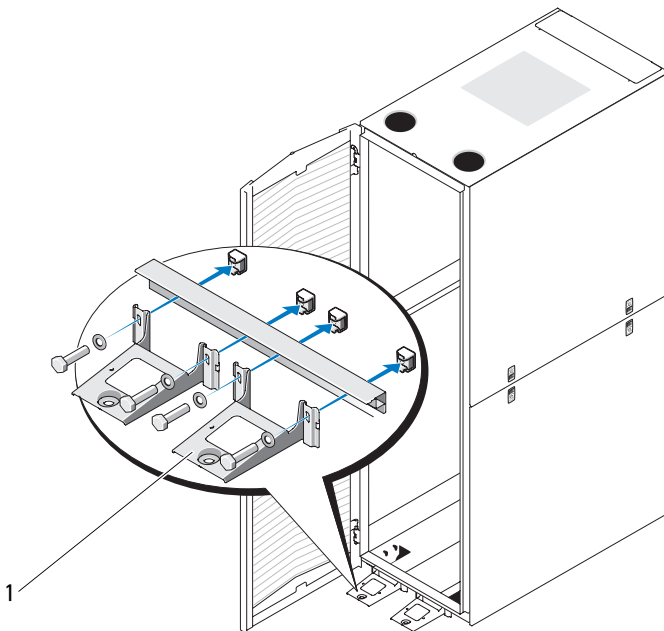
Befestigen Sie die Stabilisatoren in folgender Reihenfolge am Rack:

- Bringen Sie bei einem freistehenden Rack auf der Vorderseite und an den Seiten Stabilisatoren an.
- Befestigen Sie in einer Rackreihe an jedem Rack einen vorderen Stabilisator. Bringen Sie außerdem an den beiden Racks am Anfang und am Ende der Reihe einen linken bzw. rechten Stabilisator an.

Befestigen der vorderen Stabilisatoren

- 1 Öffnen Sie die vordere Tür.
- 2 Fassen Sie in das Rack und ziehen Sie alle Stabilisatoren fest nach oben, um sie vom Rahmen zu lösen.
- 3 Entfernen Sie die Kunststoffbefestigungen, die an den Stabilisatoren angebracht sind.
- 4 Legen Sie die vorderen Stabilisatoren jeweils vor den Rackrahmensockel und richten Sie die Fußlöcher nach den entsprechenden Rahmenlöchern aus.
- 5 Befestigen Sie den Stabilisator mit den mitgelieferten Schrauben, Unterlegscheiben und Käfigmuttern am Rack, wie in Abbildung 1-13 dargestellt.

Abbildung 1-13. Vordere Stabilisatoren installieren

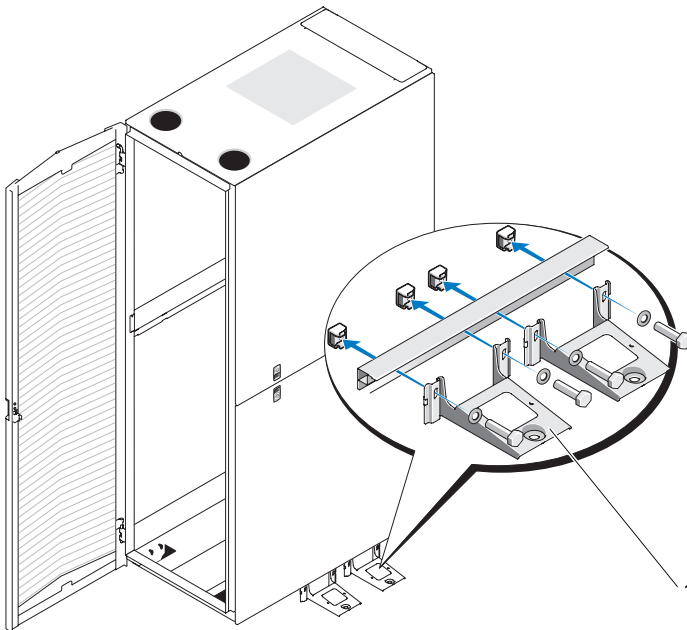


- 1 Vordere Stabilisatoren (2)

Befestigen der seitlichen Stabilisatoren

- 1 Entfernen Sie die unteren Seitenteile (siehe „Entfernen der unteren Seitenteile“ auf Seite 86).
- 2 Suchen Sie die vier seitlichen Öffnungen in der unteren Schiene des Rackrahmens (siehe Abbildung 1-14).
- 3 Legen Sie die Stabilisatoren jeweils vor den Rackrahmensockel und richten Sie die Fußlöcher nach den entsprechenden Rahmenlöchern aus.

Abbildung 1-14. Seitliche Stabilisatoren installieren



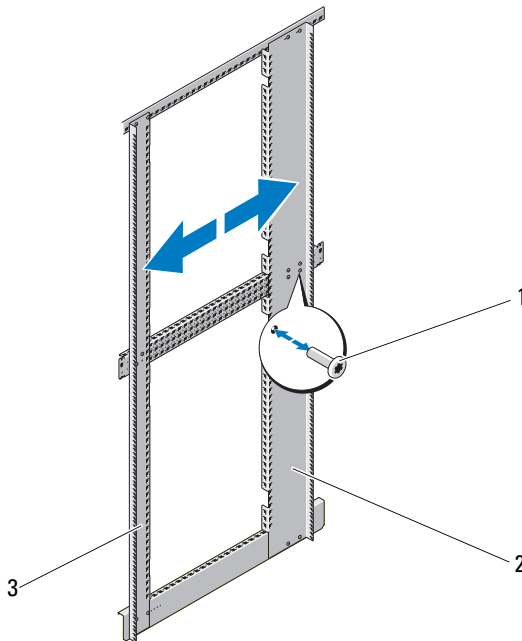
- 1 Seitliche Stabilisatoren (2 pro Seite)
- 4 Befestigen Sie den Stabilisator mit den mitgelieferten Schrauben, Unterlegscheiben und Käfigmuttern am Rack, wie in Abbildung 1-14 dargestellt.

Anpassen der Rackstützen (optional)

Die Stellungen der Rackstützen lassen sich an Systeme mit unterschiedlicher Tiefe anpassen.

- 1 Öffnen Sie die Türen des Racks.
- 2 Entfernen Sie die Schrauben an der Unterseite, in der Mitte und an der Oberseite der Stützen (siehe Abbildung 1-15).
- 3 Bewegen Sie die Stütze auf die gewünschte Position auf der Innenseite des Racks und setzen Sie die Schrauben in die entsprechenden Öffnungen ein.

Abbildung 1-15. Rackstützen anpassen



1 Schrauben

2 Hintere Rackstütze

3 Vordere Rackstütze



ANMERKUNG: Falls Sie nicht zwei oder mehrere Racks verbinden müssen, können Sie jetzt mit der Installation von Systemen im Rack beginnen. Orientieren Sie sich bei der Installation von Komponenten in dem Rack an den weißen nummerierten Etiketten auf der Vorder- und Rückseite der Rackmontageschienen.

Verlegen der Kabel

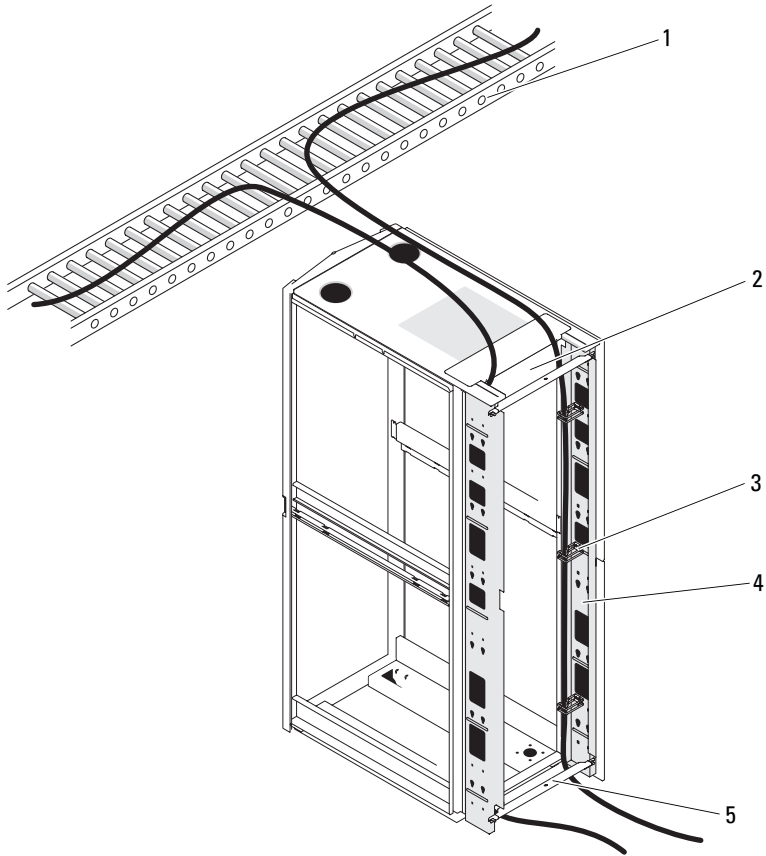
Das 48-U-Rack verfügt über verschiedene Merkmale zur Erleichterung der Kabelführung (siehe Abbildung 1-16).

- Durch die Stromverteilerrohre in jedem Rackflansch können die Stromversorgungskabel zu den im Rack installierten Systemen geführt werden.
- In die Stromverteilerrohre können Kabelklemmen montiert werden, um eine störungsfreie Kabelführung zu ermöglichen.

Für die Kabelführung aus dem Rack heraus gibt es in einer Standardkonfiguration zwei Möglichkeiten:

- Durch den Kabelausgang auf der Unterseite der hinteren Türen (siehe Abbildung 1-16).
- Durch den verstellbaren Kabelschlitz an der Oberseite des Racks, in einen Kabelkanal (siehe Abbildung 1-16).

Abbildung 1-16. Optionen für die Kabelführung



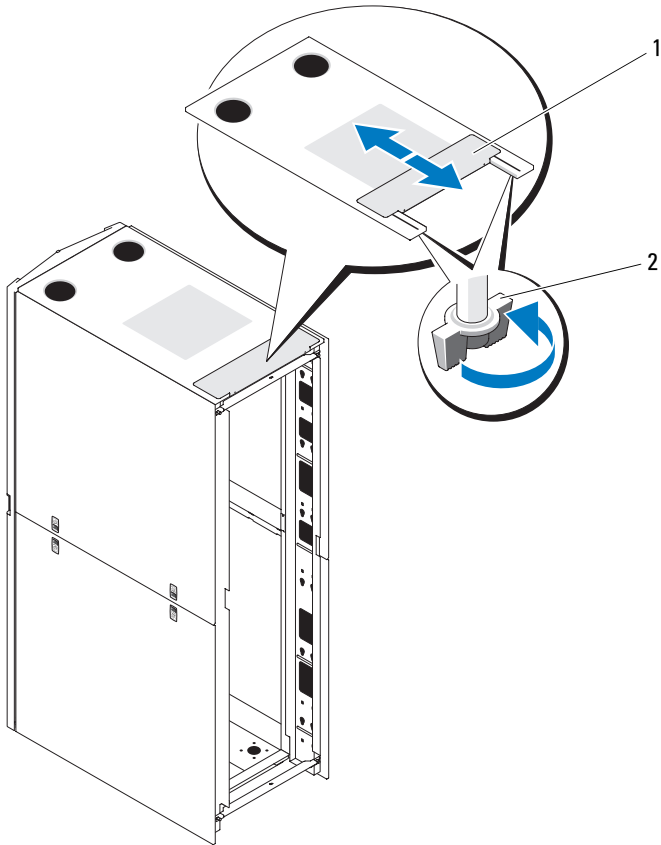
- | | | | |
|---|----------------------|---|-----------------------------------|
| 1 | Kabelkanal | 2 | Oberer Kabelschlitz |
| 3 | Kabelklemmen | 4 | Stromverteilerrohre (2 pro Seite) |
| 5 | Unterer Kabelausgang | | |

Oberen Kabelschlitz öffnen und schließen

Durch den oberen Kabelschlitz können Kabel zu einem Kabelkanal verlegt werden.

- 1** Öffnen Sie die hinteren Türen.
- 2** Lösen Sie die Flügelmuttern unter der Kabelschlitzabdeckung (siehe Abbildung 1-17).
- 3** Schieben Sie die Kabelschlitzabdeckung in Richtung der Vorderseite des Racks.
- 4** Nachdem Sie die Kabel durch die Oberseite des Racks geführt haben, schließen Sie die ggf. verbleibende Lücke im Kabelschlitz, indem Sie die Kabelschlitzabdeckung zur Rückseite des Racks verschieben. Sichern Sie die Abdeckung mit den Flügelmuttern.

Abbildung 1-17. Oberen Kabelschlitz öffnen und schließen



1 Kabelschlitzabdeckung

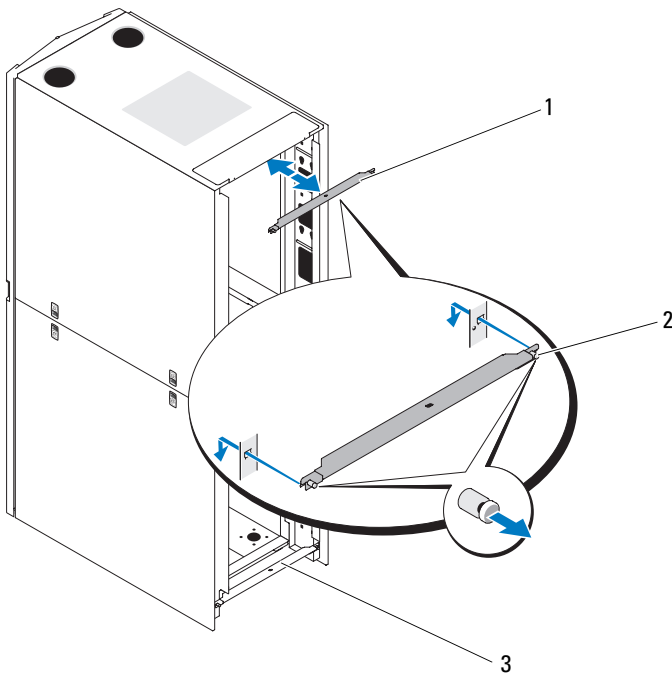
2 Flügelmuttern (2)

Stabilisierungsstege für die hintere Tür entfernen und installieren

Die oberen und unteren Stege, die die hinteren Türen stabilisieren, lassen sich entfernen, um das Verlegen der Kabel durch die Oberseite und Unterseite des Racks zu erleichtern.

- 1 Öffnen Sie die hinteren Türen.
- 2 Ziehen und halten Sie die Stöpsel auf beiden Seiten des Stegs und ziehen Sie den Steg nach oben und weg vom Rack (siehe Abbildung 1-18).
- 3 Nachdem Sie die Kabel verlegt haben, setzen Sie die Stege wieder ein, indem Sie die Laschen auf den Stegen an den entsprechenden Öffnungen im Rack ausrichten und die Stege hinein und nach unten drücken, bis die Stöpsel einrasten.

Abbildung 1-18. Stabilisierungsstege für die hintere Tür entfernen und installieren



- | | | | |
|---|---|---|----------------------|
| 1 | Stabilisierungssteg für die hintere Tür (oben) | 2 | Stöpsel (2 pro Steg) |
| 3 | Stabilisierungssteg für die hintere Tür (unten) | | |

Zwei Racks verbinden

! WARNUNG: Wegen der Größe und des Gewichts des Rackschranks sollten Sie keinesfalls versuchen, zwei Rackschränke ohne fremde Hilfe zu verbinden.

- 1 Packen Sie beide Racks aus und stellen Sie sie auf.
- 2 Packen Sie das VerbindungsKit aus (Inhalt siehe Abbildung 1-19).

Das Rack-VerbindungsKit hat folgenden Inhalt:

- Ein Dichtungsstreifen
- Vier Kupplungsklammern

Abbildung 1-19. Rack-VerbindungsKit



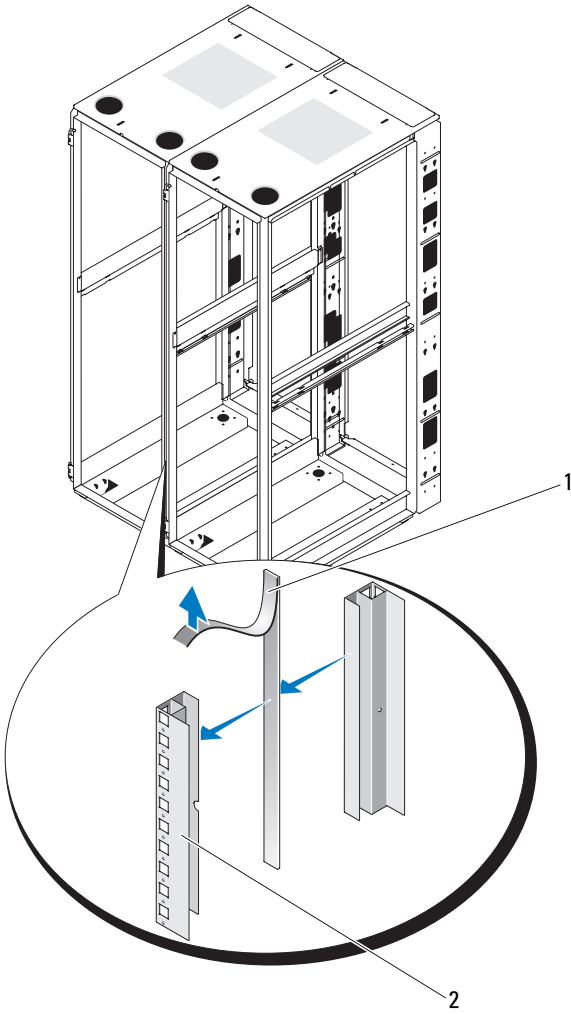
1 Dichtungsstreifen

2 Kupplungsklammern (4)

- 3 Nehmen Sie die Türen und Seitenteile von beiden Racks ab. Siehe „Vordere Tür entfernen“ auf Seite 81, „Öffnen und Abnehmen der hinteren Türen“ auf Seite 82 und „Entfernen und Installieren der Seitenteile“ auf Seite 84.
- 4 Schneiden Sie ein Stück des Dichtungsstreifens ab, entfernen Sie die Schutzfolie und bringen Sie es an einem der Racks entlang der Kontaktstelle mit dem benachbarten Rack an (siehe Abbildung 1-20).

ANMERKUNG: Sie können die Streifenabschnitte auf einem beliebigen Rack anbringen, solange durch die Streifen beide Racks vor Kratzern geschützt werden.

Abbildung 1-20. Installieren des Dichtungsstreifens

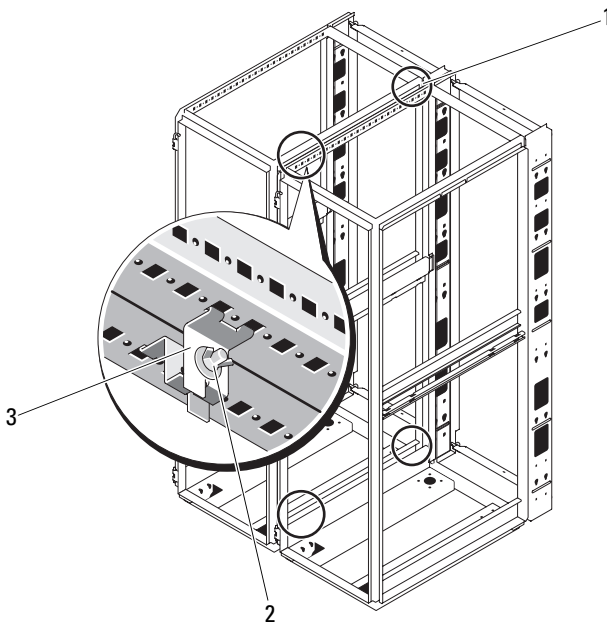


1 Dichtungsstreifen

2 Rackrahmen

- 5 Installieren Sie die Kupplungsklammern.
- a Stellen Sie die beiden Racks nebeneinander.
 - b Stellen Sie die höhenverstellbaren FüÙe beider Racks so ein, dass sich die Racks auf derselben Höhe befinden und parallel nebeneinander stehen. Anleitungen hierzu finden Sie unter „Höhenverstellbare FüÙe anpassen“ auf Seite 98.
 - c Um die Kupplungsklammern an den Racks zu befestigen, haken Sie die Klammern in die viereckigen Löschchen in und neben den Rackstützen und ziehen Sie die Klammern mit den Flügelmuttern fest (siehe Abbildung 1-21).

Abbildung 1-21. Zwei Racks verbinden



- 1 Positionen der Kupplungsklammern 2 Flügelmutter
3 Kupplungsklammern (4)

Dell PowerEdge ラックエン
クロージャ
設置ガイド

メモ、注意、警告



メモ：コンピュータを使いやすくするための重要な情報を説明しています。



注意：手順に従わないと、ハードウェアの損傷やデータの損失につながる可能性があることを示しています。



警告：物的損害、けが、または死亡の原因となる可能性があることを示しています。

本書の内容は予告なく変更されることがあります。

© 2010 すべての著作権は Dell Inc. にあります。

Dell Inc. の書面による許可のない複製は、いかなる形態においても厳重に禁じられています。

本書に使用されている商標：Dell™、DELL ロゴ、および PowerEdge™ は Dell Inc. の商標です。

商標または製品の権利を主張する事業体を表すためにその他の商標および社名が使用されていることがあります。それらの商標や会社名は、一切 Dell Inc. に帰属するものではありません。

目次

安全にお使いいただくために	115
安全について：システムのラックへの取り付け	115
ラックの取り付け手順	116
ラックの仕様	116
作業を開始する前に	116
取り付け手順	117
奨励するツールおよび備品	118
ラックの扉の取り外しと取り付け	118
サイドパネルの取り外しと取り付け	122
前面扉の反転（オプション）	127
ラック水平調節用の脚の固定	134
ラックスタビライザの取り付け	136
ラックポストの調整（オプション）	138
ケーブルの配線	139
2台のラックの連結	144

安全にお使いいただくために

ご自身の身体の安全を守り、システムおよび作業環境を保護するために、以下の安全に関するガイドラインに従ってください。安全および認可機関に関する詳細情報は、システムに付属しているマニュアルの安全にお使いいただくための注意事項を参照してください。保証情報は、このマニュアルに含まれている場合と、別の文書として付属する場合があります。

安全について：システムのラックへの取り付け

ラックの安定性や安全性に関して、以下の点にご注意ください。また、特定の注意文および手順については、システムおよびラック付属のラック取り付けマニュアルを参照してください。

システムはラックの一部とみなします。「コンポーネント」には、さまざまな周辺機器やサポートハードウェアと同様に、システムも含まれます。

警告：ラックに取り付けるシステムの注意事項

- お使いのラックキットは、ご購入いただいたラックキャビネット専用として承認されています。システムをその他のラックに取り付ける場合は、ユーザーの責任において、適用されるすべての基準に適合することを確認してください。デルでは、本製品以外のラックとの組み合わせは保証しておらず、いかなる責任も負いません。
- システムをラックに取り付ける前に、前面と側面のスタビライザをすべて取り付けてください。スタビライザを取り付けないと、ラックが転倒するおそれがあります。
- ラックには必ず下から上へと、最も重いものから順に設置します。
- ラックに電力を供給する AC 分岐回路に過重電流を流さないでください。
- ラック内のコンポーネントの上に乗ったり、足をかけたりしないでください。

ラックの取り付け手順

この取り付けガイドは、ラックエンクロージャの設置作業を行う、トレーニングを受けたサービス技術者向けの手順書です。本書では、ラックの組み立て、2台のラックの連結、ラック内のケーブルの配線について説明します。ラックの取り付けは、奨励するツールを使用して行ってください。

以下の取り付けを開始する前に、手順を最後までよくお読みください。

ラックの仕様


- △ **警告**：ラックは、米国規格協会（ANSI）、全米家電協会（CEA）規格 EIA/CEA-310-E、国際電気標準会議（IEC）60297-3-100、ドイツ工業規格（DIN）41494の仕様に適合しています。

作業を開始する前に


- ⚠ **警告**：ラックへの取り付け作業を開始する前に、「安全に関する重要な注意」、およびラックに付属しているガイドの安全にお使いいただくための注意事項をよくお読みください。
- ⚠ **警告**：複数のシステムをラックに取り付ける場合は、1台のシステムの取り付け手順を完了してから、次のシステムの取り付けに進んでください。
- ⚠ **警告**：ラックキャビネットはサイズが非常に大きく重量もあるため、キャスターで簡単に移動できるようになっています。このキャスターにはブレーキがありません。ラックキャビネットを移動するときは十分な注意が必要です。ラックキャビネットを別の場所に移動するときは、水平調節用の脚を収納してください。長い傾斜面、急勾配、または凹凸のある場所、スロープなど、バランスが取りにくい場所にはキャビネットを設置しないでください。水平調節用の脚を伸ばしてキャビネットを支え、キャビネットが動かないようにしてください。
- ⚠ **警告**：ラックキャビネットの移動を凹凸のある場所で行わないでください。キャスターが強い衝撃を受けて壊れ、ラックが不安定になって転倒するおそれがあります。
- ⚠ **警告**：コンポーネントを取り付けた状態でラックを移動しないでください。フル装備のラックを少しでも傾斜している面に移動すると、ラックが不安定になり、転倒するおそれがあります。


安全に関する重要な注意

システムをラックに取り付けるときは、次の各項の安全に関する注意を遵守してください。

 **警告：**作業者は、自分自身と周囲の人々を保護するために、本書の手順に必ず従ってください。本システムは非常に重量があり大きいため、ご自身と周囲の人々のけがを防ぐために準備と計画を適切に行うことが重要です。これは、特にシステムをラックの高い位置に取り付ける場合に重要になります。

ラックスタビライザ

 **警告：**単体ラックでは前面と側面のスタビライザ、連結ラックでは前面のスタビライザを取り付けてからラックにシステムを取り付けてください。スタビライザを正しく取り付けずにシステムをラックに取り付けると、ラックが転倒し、けがをするおそれがあります。必ずスタビライザを取り付けてから、ラックにコンポーネントを取り付けてください。

 **警告：**ラックにシステムを取り付けた後は、スライドアセンブリ上の複数のシステムを同時にラックから引き出さないでください。引き出された複数のシステムの重みでラックが転倒し、けがをするおそれがあります。

スタビライザは、スライドアセンブリが伸びきった状態でラックからシステムやその他のコンポーネントを引き出す際に、ラックの転倒を防ぎます。

取り付け手順

ラックキャビネットの取り付けでは、以下の作業を行います。


- 1 ラックの扉の取り外しと取り付け
- 2 サイドパネルの取り外しと取り付け
- 3 前面扉とバッジの反転（オプション）
- 4 水平調節用の脚の固定
- 5 スタビライザの取り付け
- 6 ラックポストの調整（オプション）
- 7 ラック内のケーブルの配線
- 8 2台のラックの結合（オプション）


奨励するツールおよび備品

ラックを取り付けるには、以下のツールと備品が必要です。

- #2 プラスドライバ
- マイナスドライバ
- 12 mm レンチ
- ラジオペンチ
- 4 mm アレンレンチ（前面扉の開閉方向を逆にする場合）
- ラックの扉とサイドパネルのキー
- 13 mm レンチ（ラックをパレットから取り外す際に使用）
- 17 mm レンチ（ラックをパレットから取り外す際に使用）

ラックの扉の取り外しと取り付け

 **警告：**ラックキャビネットの扉の大きさと重さを考慮して、取り付けおよび取り外しは1人では行わないでください。

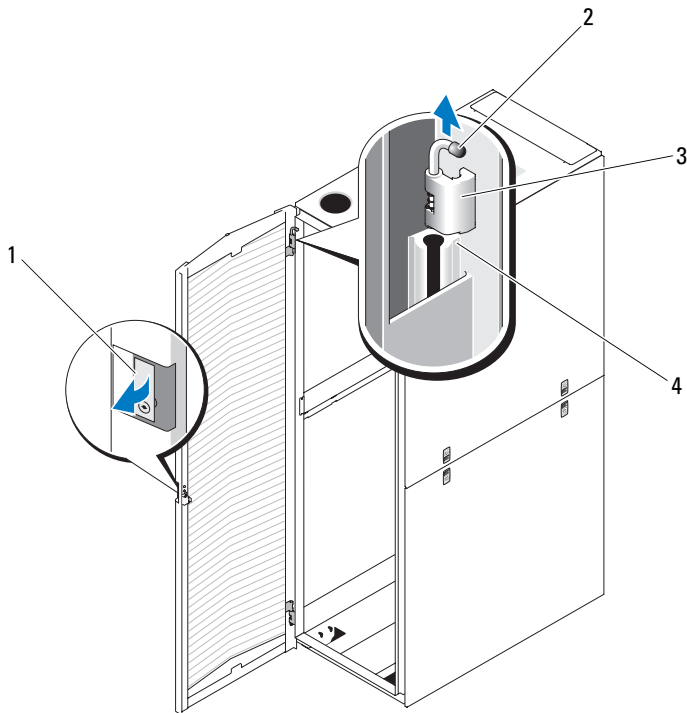
 **警告：**扉を保管する際には、不意に倒れてけがをしないように水平に寝かせておきます。

前面扉の取り外し

- 1 扉のラッチを引き、前面扉を完全に開きます（図 1-1 を参照）。
- 2 扉を開けたまま、ヒンジピンを上に取り、扉のピン受けから外します（図 1-1 を参照）。

ヒンジピンには固定クリップがあるため、ヒンジがヒンジ本体から外れることはありません。

図 1-1. 前面扉の取り外し



- | | | | |
|---|-------|---|------------|
| 1 | 扉のラッチ | 2 | ヒンジピン |
| 3 | ヒンジ本体 | 4 | ヒンジピンのピン受け |

- 3 ヒンジピンをピン受けから引き出した状態で、扉をラックから少し手前に引き、ヒンジ本体から外します。
- 4 ヒンジピンを元に戻します。
- 5 扉を持ち上げ、下部のヒンジ軸を外します。

⚠ 警告：取り外した扉は、サイズと重量を考慮して、外側の面を上に向けて水平に寝かせておくことをお勧めします。

- 6 扉のバッジと化粧仕上げに傷がつくことを防ぐために、外側の面を上に向けて、扉を安全な場所に置きます。

前面扉の取り付け

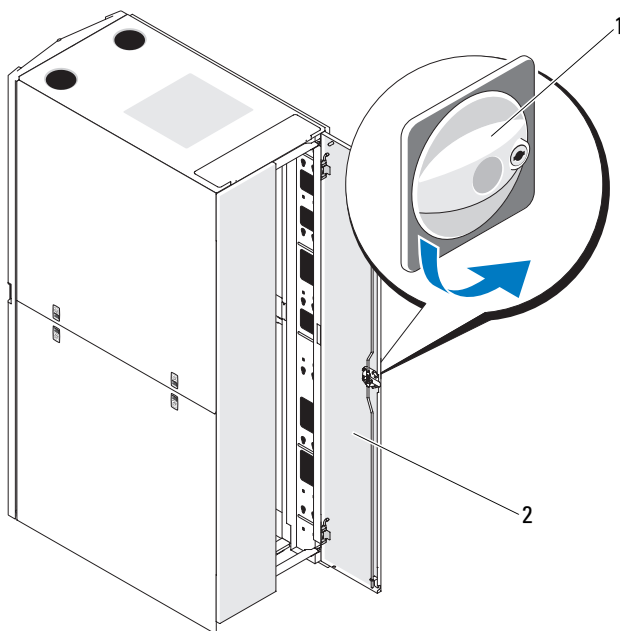
前面扉を取り付ける場合は、取り外し手順を逆の順序で行います。

背面扉の開放および取り外し

⚠ 警告：ラックキャビネットの扉の大きさと重さを考慮して、取り付けおよび取り外しは1人では行わないでください。

- 1 扉のハンドルを回して、背面扉を開きます（図 1-2 を参照）。

図 1-2. 背面扉の開き方



1 扉のハンドル

2 背面扉 (2)

2 右側の背面扉を取り外します。

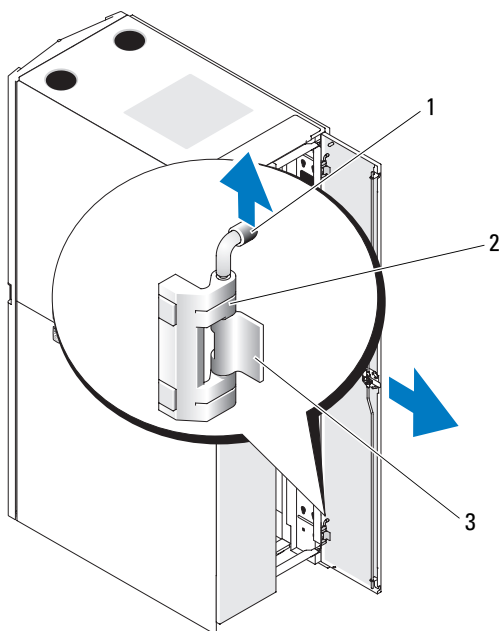
a 扉を支えた状態で、上部ヒンジのピンを引いて、ピン受けから外します（図 1-3 を参照）。

ピンをピン受けから引き出すと、カチッという音がします。ヒンジピンはヒンジ本体から抜けないような構造になっています。

b 下部ヒンジについて、手順 a を繰り返します。

c ラックから扉を外します。

図 1-3. 背面扉の取り外し



1 ヒンジピン

2 ヒンジ本体

3 ヒンジピンのピン受け




警告：取り外した扉は、サイズと重量を考慮して、外側の面を上に向けて水平に寝かせておくことをお勧めします。


- d 外側の面を上に向けて、扉を安全な場所に置きます。
外側の面を上に向けて水平に寝かせるようにすると、扉の化粧仕上げが傷つくことを防止できます。
- e 左側の背面扉について、手順 a から手順 d を繰り返します。


背面扉の取り付け

背面扉を取り付ける場合は、上記の手順を逆の順序で行います。

サイドパネルの取り外しと取り付け

 **警告：**単体ラックの場合、ラック内を確実に冷却するために、ラック内のシステムに電源を入れる前にサイドパネルを取り付ける必要があります。

 **メモ：**側面スタビライザを取り付ける場合は、下部サイドパネルを取り外す必要があります。

 **メモ：**ラックにシステムを取り付けるためにサイドパネルを外す必要はありませんが、側面部を開けておくことにより、スライドアセンブリおよびサポートレールを取り付けたり、前面扉が開く方向を替える作業が容易になります。

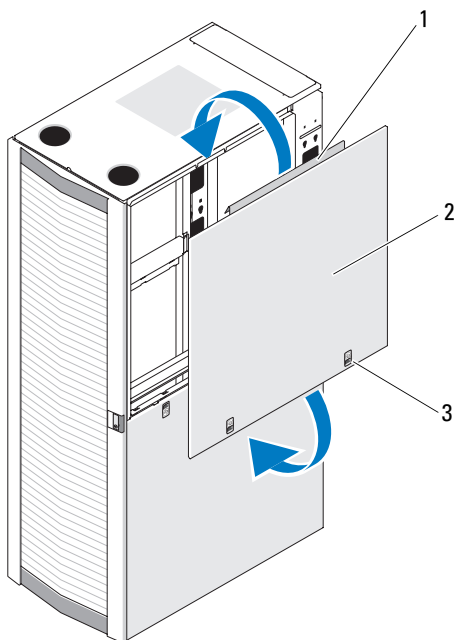
上部サイドパネルの取り外し

- 1 両方のラッチを押し上げ、パネルの下端をラックから離します（図 1-4 を参照）。
- 2 パネルの両側をしっかりと持ちます。
- 3 パネルを持ち上げて、パネルの縁をラックの上部から外します。
- 4 パネルの化粧仕上げに傷がつくことを防ぐために、外側の面を上に向けて、パネルを安全な場所に置きます。
- 5 反対側の上部サイドパネルについて、手順 1 から手順 4 を繰り返します。

上部サイドパネルの取り付け

- 1 上部サイドパネルをラック上に持ち上げ、パネルの縁をラックの上部に掛けます（図 1-4 を参照）。
- 2 パネルの下端を下げてラックに合わせます。
- 3 両方のラッチが所定の位置に固定されるまで、パネルをラックに押し付けます。

図 1-4. 上部サイドパネルの取り付け



- 1 パネルの縁
- 3 ラッチ (2)

- 2 上部サイドパネル (2)

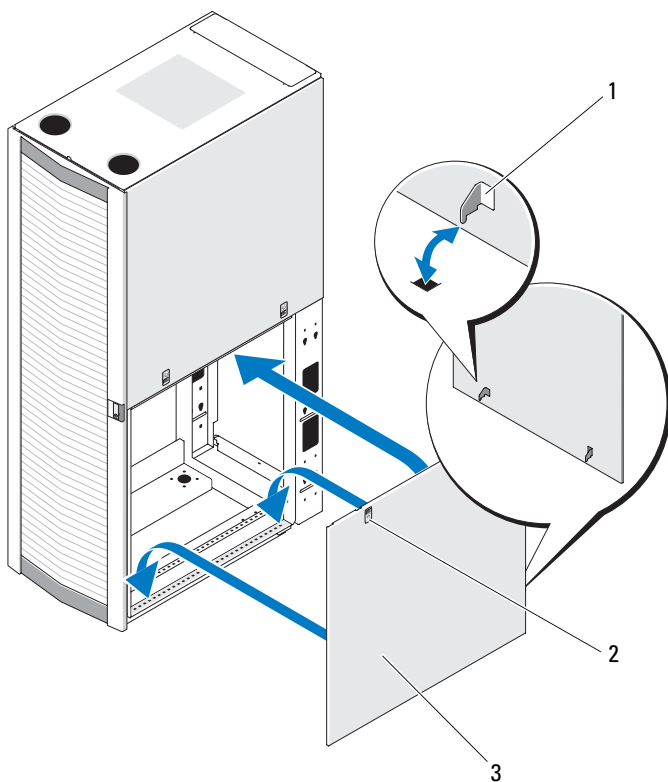
下部サイドパネルの取り外し

- 1 両方のラッチを引き下げ、サイドパネルの上部が外側に向かってわずかに開くようにします。
- 2 パネルの両側をしっかりと持ちます。
- 3 パネルフックがラックフレーム底部の穴から外れるまで、パネルを持ち上げます。
- 4 パネルの化粧仕上げに傷がつくことを防ぐために、外側の面を上に向けて、パネルを安全な場所に置きます。
- 5 反対側の下部サイドパネルについて、手順 1 から手順 4 を繰り返します。


下部サイドパネルの取り付け

- 1 パネルをラック内に下ろし、後部パネルフックをラックフレーム底部の後部穴に、前面フックをラックフレーム前部の対応する穴に、それぞれ挿入します（図 1-5 を参照）。
- 2 パネルの上端をラックに近づけます。
- 3 両方のラッチが所定の位置に固定されるまで、パネルをラックに押し付けます。

図 1-5. 下部サイドパネルの取り付け



- 1 パネルフック (2)
- 2 ラッチ (2)
- 3 下部サイドパネル (2)

 **メモ**：以下の手順は、通常よりも奥行き長いラックにのみ適用されます。

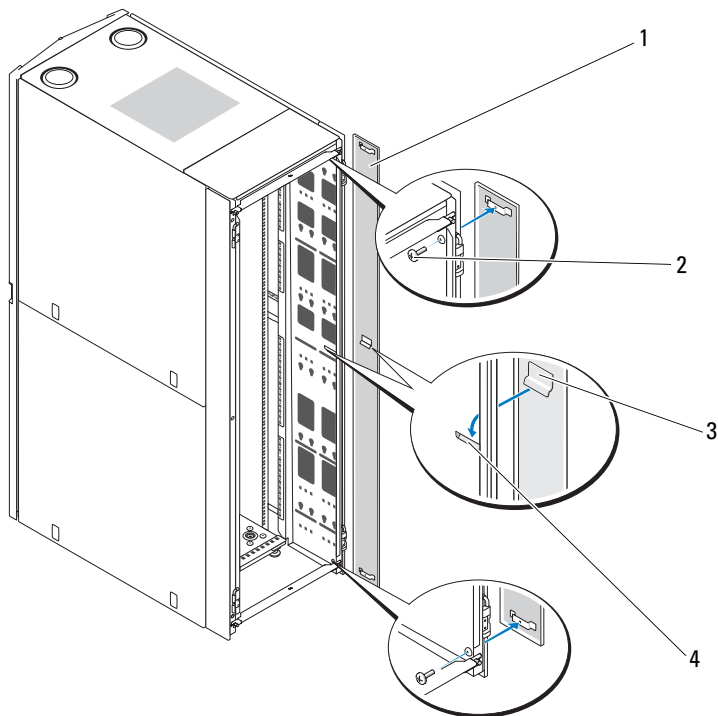
背面サイドパネルの取り外し

- 1 背面サイドパネルを所定の位置に固定している 2 本のネジをラック内部から外します。
- 2 背面サイドパネルを持ち上げてラックから取り外します。

背面サイドパネルの取り付け

- 1 背面パネルの中央にある位置合わせブラケットをラック PDU トレイの
の スロットに挿入します。
- 2 上下のネジを取り付けて背面サイドパネルを固定します。

図 1-6. 背面サイドパネルの取り付け



- 1 背面サイドパネル
- 3 位置合わせブラケット

- 2 ネジ (2)
- 4 PDU トレイの スロット

前面扉の反転（オプション）

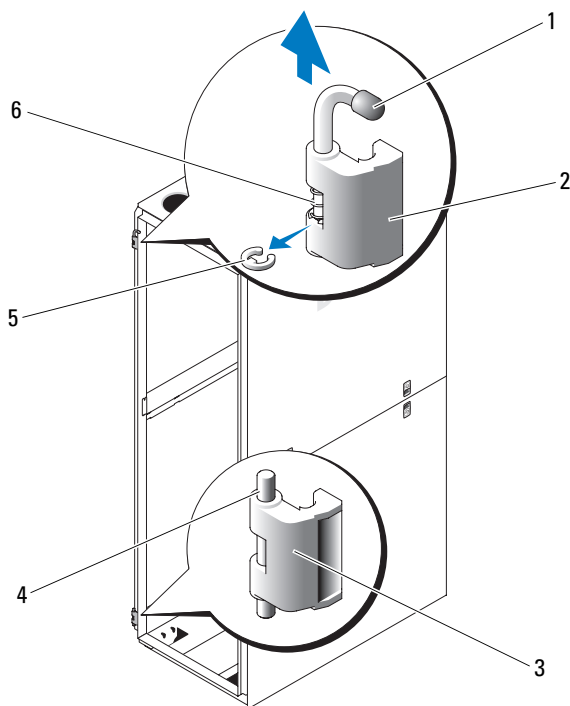


メモ：ラックから前面扉のヒンジ本体を取り外し、それを反対側に取り付けなおす作業には、4 mm のアレンレンチを使用します。上部ヒンジ本体をラックに固定するアレンボルトの作業を行うには、脚立が必要になる場合があります。

前面扉が開く方向を替えるには、次の手順を実行します。

- 1 前面扉を取り外します（118 ページの「前面扉の取り外し」を参照）。
- 2 サイドパネルを取り外します（122 ページの「サイドパネルの取り外しと取り付け」を参照）。
- 3 上部ヒンジ本体を逆にします。
 - a ヒンジピンを少し上に引き出して、固定クリップの作業が行えるようにします（図 1-7 を参照）。
 - b ラジオペンチを使って固定クリップを取り外し、ヒンジピンをヒンジ本体から引き抜きます。

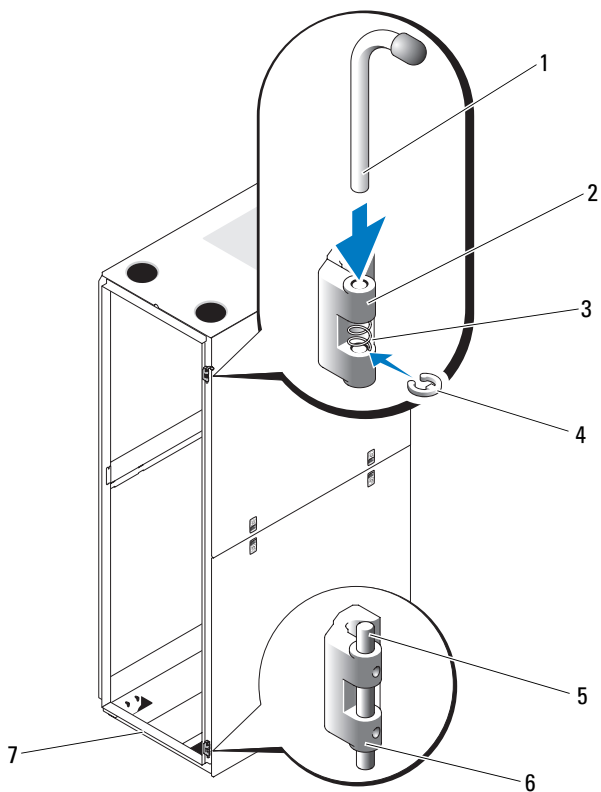
図 1-7. 前面扉ヒンジの取り外し



- | | | | |
|---|--------|---|---------|
| 1 | ヒンジピン | 2 | 上部ヒンジ |
| 3 | 下部ヒンジ | 4 | ヒンジ軸 |
| 5 | 固定クリップ | 6 | 本体スプリング |

- c ヒンジ本体からヒンジのスプリングを取り外します。
- d ヒンジピン、固定クリップおよびスプリングを安全な場所に置きます。
- e 4 mm アレンレンチを使って、ヒンジ本体をラックに固定しているアレンボルトをすべて外し、ボルトとヒンジピン、固定クリップ、本体スプリングをまとめておきます。
- f ヒンジ本体を 180 度回転し、ヒンジピンの穴がヒンジ本体の右側にくるようにします (図 1-8 を参照)。

図 1-8. 上部および下部ヒンジの反転

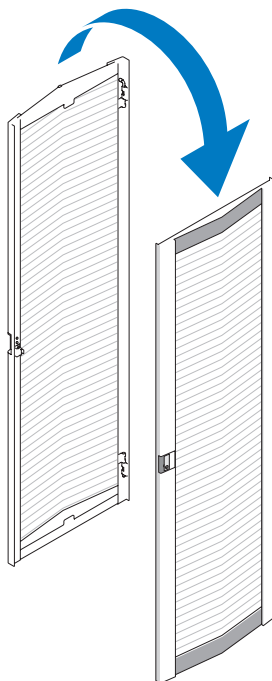


- | | | | |
|---|-------|---|---------|
| 1 | ヒンジピン | 2 | 上部ヒンジ本体 |
| 3 | スプリング | 4 | 固定クリップ |
| 5 | ヒンジ軸 | 6 | 下部ヒンジ本体 |
| 7 | ラック正面 | | |

- g ラック右側上部にあるボルト穴の位置を確認し、アレンボルトを使ってヒンジ本体をラックの右側に固定します。
- h スプリングを下部ヒンジ本体の上下のヒンジピン穴の間に挿入します。

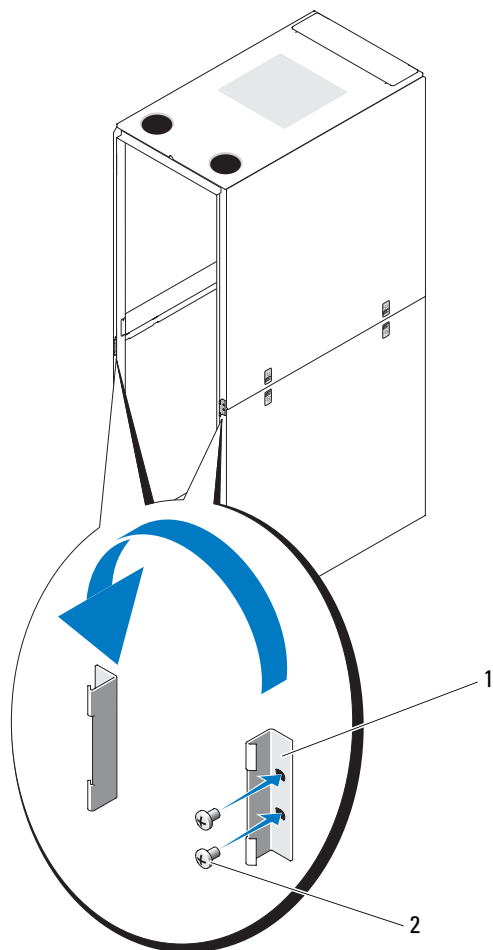
- i ヒンジピンをヒンジ本体に挿入します。
 - j 固定クリップがスプリングの下にくるように、固定クリップをヒンジに挿入します。
- 4 下部ヒンジ本体を逆にします。
- a ヒンジ本体をラックに固定しているアレンボルトを外し、ボルトを安全な場所に置きます。
 - b ヒンジ本体を 180 度回転させ、ヒンジ軸がヒンジ本体の反対側にくるようにします（図 1-8 を参照）。
 - c ラックの右側にある下部ボルト穴の位置を確認し、アレンボルトを使ってヒンジ本体をラックの右側に固定します。
- 5 ヒンジピンのピン受けが右側にくるように、前面扉を 180 度回転させます（図 1-9 を参照）。

図 1-9. 前面扉の反転



- 6 118 ページの「前面扉の取り外し」の手順を逆の順序で行い、前面扉を取り付けます。
- 7 ロックキャッチを逆にします。
 - a ロックキャッチを垂直フレームメンバーに固定している 2 本のプラスネジを外します。
 - b ロックキャッチを取り外して 180 度回転させます。
 - c ロックキャッチをもう一方のラックの前面垂直フレームメンバーに取り付けます。キャッチの穴とフレームメンバーの穴を合わせ、2 本のプラスネジを差し込んで固定してください。
図 1-10 を参照してください。

図 1-10. 前面扉のロックキャッチの反転



1 ロックキャッチ

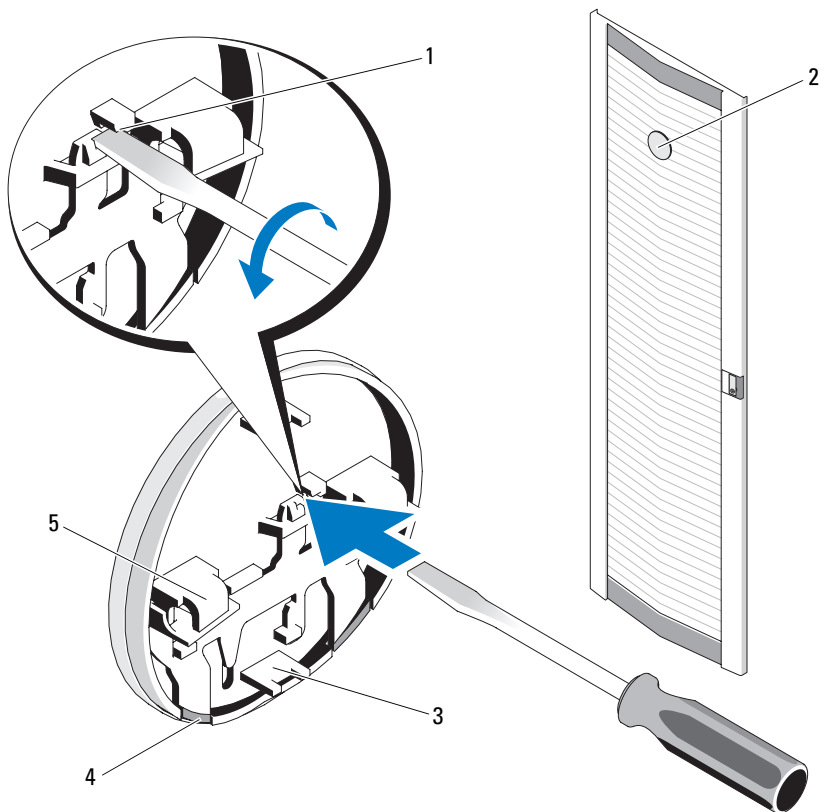
2 ネジ

8 前面扉のバッジを逆にします。

a 前面扉を開きます。

b 扉の内側から、マイナスドライバをバッジリリースノッチに挿入します（図 1-11 を参照）。

図 1-11. 前面扉のバッジの反転




- | | | | |
|---|------------|---|---------------|
| 1 | バッジリリースノッチ | 2 | 前面扉のバッジ |
| 3 | センタータブ (2) | 4 | バッジ固定クリップ (2) |
| 5 | バッジフック (2) | | |


- c ドライバをバッジリリースノッチの奥まで挿入し、反時計方向に回します。
- d バッジを持ち上げて、扉から外します。
- e 取り付けたときに文字が正しい方向になるように、バッジを 180 度回転させます。


- f 扉の上部から 6 番目の水平バーの位置を確認し、バジフックをその上にスライドさせ、バジのセンタータブを扉の垂直バーに合わせます。
- g バジ固定クリップが閉じてバジが固定されるまで、バジ固定クリップを押し上げます。


ラック水平調節用の脚の固定


 **警告：**水平調節用の脚を調節する前に、以下の注意事項を必ずお読みください。

ラックには 4 本の水平調節用の脚が設置されています。脚はラックの各コーナーに取り付けられています。水平調節用の脚は、若干傾斜している床面にラックを設置するときに、ラックを水平に保つために使用します。ラックにシステムを取り付ける前に、水平調節用の脚を伸ばして調節を行ってください。ラックの水平調節を行う場合は、以下のガイドラインに従ってください。

 **警告：**水平調節用の脚を調節するときは、各コーナーのキャスターが床面から 9.5 mm 以上離れないようにしてください。調節時にキャスターと床面が 9.5 mm 以上離れてしまったら、脚をゆっくりと収納し、許容範囲内で水平に保てる場所にラックを移動してください。

 **警告：**各コーナーの水平調節用の脚が床面にしっかりと接地するように調節してください。水平調節用の脚を確実に接地させることで、ラックの全重量をそれぞれの脚で分散して支えられるようになり、ラックの傾きを防ぐことができます。すべての水平調節用の脚を床面にしっかりと接地させないと、ラックが不安定になり、転倒する場合があります。

 **警告：**水平調節用の脚が接地している状態でラックを移動しないでください。ラックを移動するときは、水平調節用の脚を必ず収納してください。ラックを移動するときに水平調節用の脚が伸びていると、ラックが転倒するおそれがあります。

 **警告：**システムを取り付ける前に、必ずラックの水平調節を行い、スタビライザを取り付けてください。傾斜している床面にラックを設置する場合、水平調節用の脚とスタビライザがラックの全重量を支えていないと、ラックに機器をフル装備したときにラックが転倒するおそれがあります。

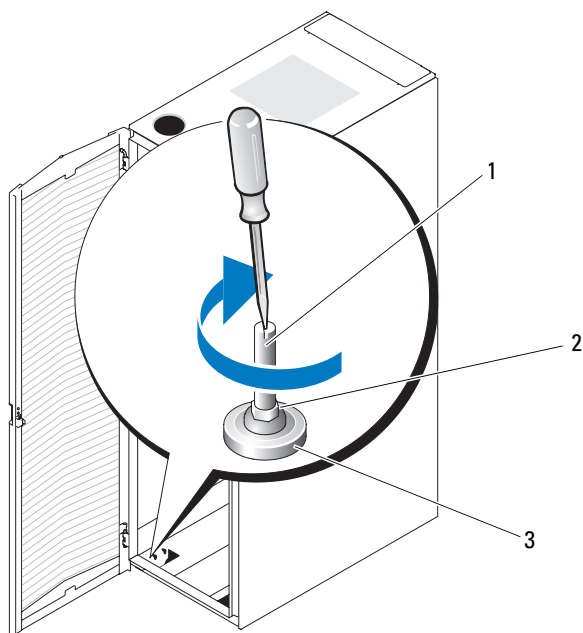


メモ：ラックが正しく水平に保たれていないと、ラックの転倒防止に必要なスタビライザを取り付けられない場合があります。

- 1 ドライバを使って水平調節用の脚を伸ばし、床面に接地させます。
- 2 水平調節用の脚をさらに伸ばす場合は、12 mm レンチを使って六角ナットを右回りに締め付けます (図 1-12 を参照)。

- 3 残りの水平調節用の脚について、手順 1 と 2 を繰り返します。
- 4 ラックが水平になっていることを確認します。

図 1-12. 水平調節用の脚の調節



- | | |
|---------------|---------|
| 1 水平調節用の脚のステム | 2 六角ナット |
| 3 水平調節パッド | |

ラックスタビライザの取り付け

⚠ 警告：ラック前面および横のスタビライザを取り付けずにラックにシステムを取り付けると、ラックが転倒し、けがをするおそれがあります。そのため、必ずスタビライザを取り付けてから、ラックにコンポーネントを取り付けるようにしてください。

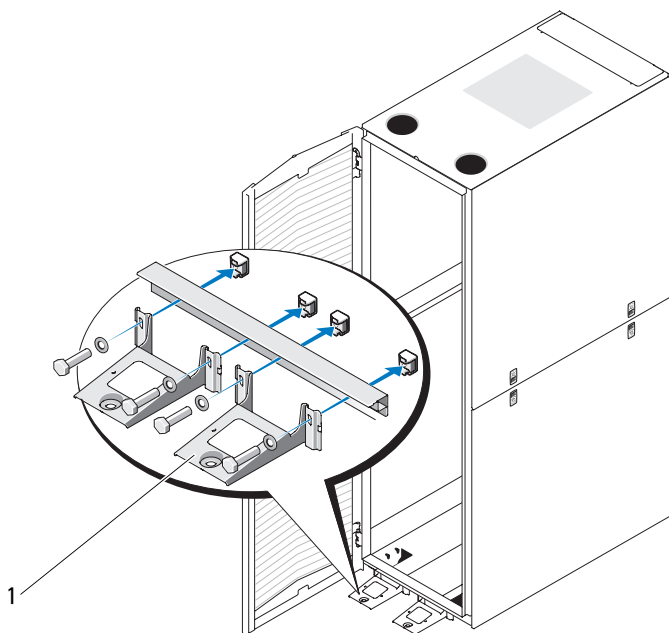
ラックにスタビライザを取り付けるには、次の手順に従います。

- スタンドアロンのラックの場合は、前面および側面スタビライザを取り付けます。
- 連結したラックの場合は、すべてのラックに前面スタビライザを取り付け、両端にあるラックにはそれぞれ左側または右側のスタビライザを取り付けます。

前面スタビライザの取り付け

- 1 前面扉を開きます。
- 2 ラック内に手を入れ、各スタビライザをしっかりと引き上げて、フレームから外します。
- 3 スタビライザに取り付けられているプラスチックの留め具を外します。
- 4 ラックフレームの底部に各前面スタビライザを合わせ、フレームの対応する穴とスタビライザの穴を揃えます。
- 5 付属のボルト、ワッシャー、およびケージナットを使用して、各スタビライザをラックに固定します（図 1-13 を参照）。

図 1-13. 前面スタビライザの取り付け

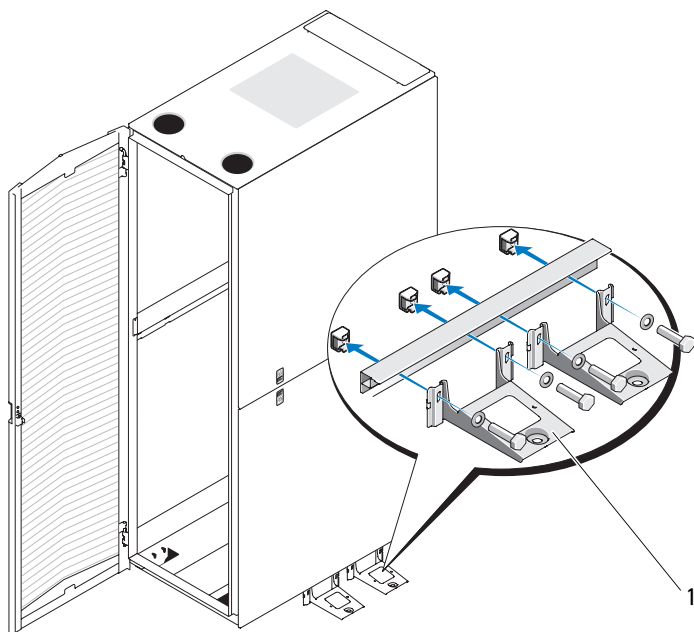


- 1 前面スタビライザ (2)

側面スタビライザの取り付け

- 1 下部サイドパネルを取り外します (124 ページの「下部サイドパネルの取り外し」を参照)。
- 2 ラックフレームの下部レールの側面にある 4 個のネジ穴の位置を確認します (図 1-14 を参照)。
- 3 ラックフレームの底部に各スタビライザを合わせ、フレームの対応する穴とスタビライザの穴を揃えます。

図 1-14. 側面スタビライザの取り付け



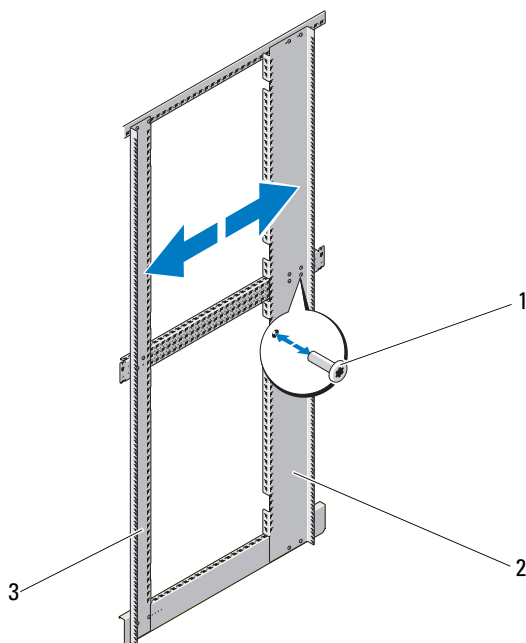
- 1 側面スタビライザ（左右に各2）
- 4 付属のボルト、ワッシャー、およびケーシナットを使用して、各スタビライザをラックに固定します（図 1-14 を参照）。

ラックポストの調整（オプション）

奥行きの異なるシステムを取り付けることができるように、ラックポストの位置は調整が可能です。

- 1 ラックの扉を開きます。
- 2 ポストの上・中・下段からネジを外します（図 1-15 を参照）。
- 3 ポストをラック側面の内側の適切な位置に移動し、対応する穴にネジを取り付けます。

図 1-15. ラックポストの調整



1 ネジ

2 背面ラックポスト

3 前面ラックポスト

メモ： ラックを2台以上連結する必要がない場合は、この時点でラックにシステムを取り付けることができます。ラックにコンポーネントを取り付けるときは、ラック取り付け用レールの前部と後部にある白い番号付きのラベルを参照してください。

ケーブルの配線

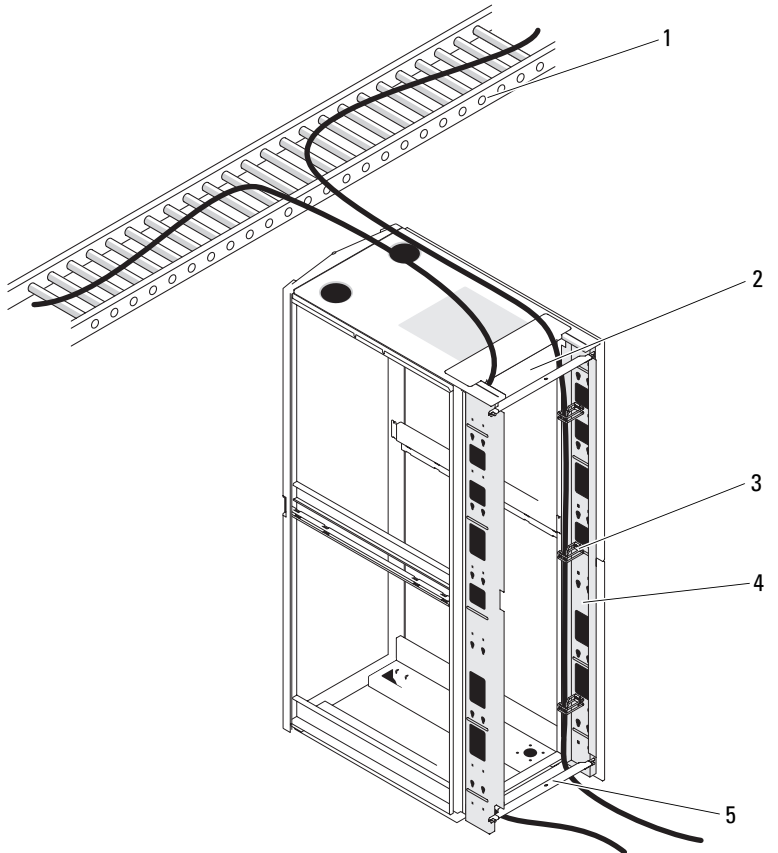
48 U ラックには、ケーブルの配線を容易にするいくつかの機能があります（図 1-16 を参照）。

- 各ラックのフランジにある配電装置（PDU）のチャンネルにより、電源ケーブルをラックに取り付けたシステムまで配線することができます。
- PDU チャンネルにケーブルクリップを取り付けてケーブルをまとめ、コードの絡みを防ぐことができます。

標準構成では、ケーブルは次の 2 つの方法でラックから引き出すことができます。

- 背面扉底部のケーブル出口から (図 1-16 を参照)
- ラック上部の調節可能なケーブルスロットからケーブル配線路へ (図 1-16 を参照)

図 1-16. ケーブル配線のオプション



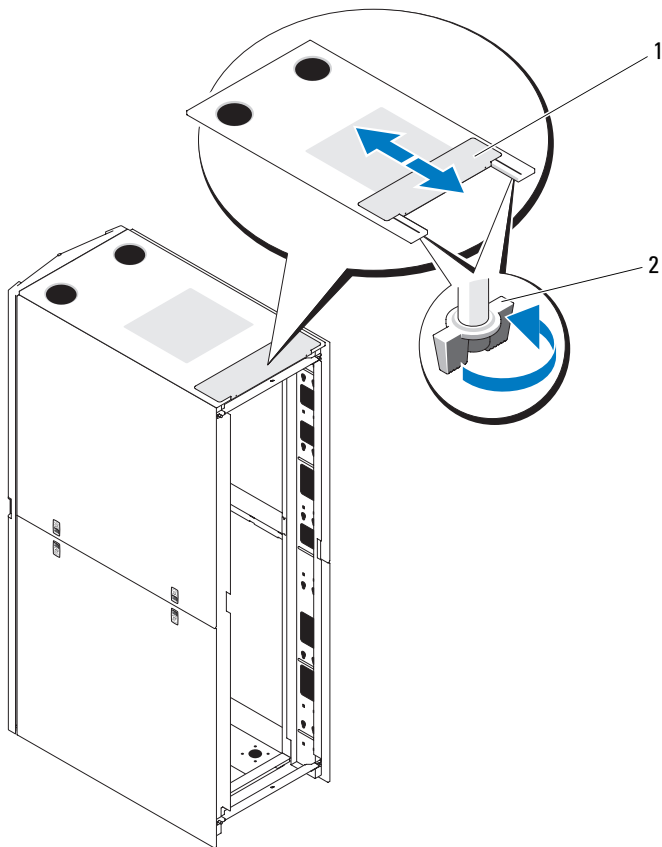
- | | | | |
|---|-----------|---|--------------------|
| 1 | ケーブル配線路 | 2 | 上部ケーブルスロット |
| 3 | ケーブルクリップ | 4 | PDU チャンネル (左右に各 2) |
| 5 | 底部のケーブル出口 | | |

上部ケーブルスロットの開閉

ラックの上部ケーブルスロットは、ケーブル配線路までケーブルを配線するために使用します。

- 1 背面扉を開きます。
- 2 ケーブルスロットカバーの下にある蝶ナットを緩めます（図 1-17 を参照）。
- 3 ケーブルスロットカバーをラックの前方に引きます。
- 4 ケーブルをラック上部に配線したら、スロットカバーをラックの背面方向に引いて、ケーブルスロットの隙間を閉じます。蝶ナットを使用してカバーを固定します。

図 1-17. 上部ケーブルスロットの開閉



1 ケーブルスロットカバー

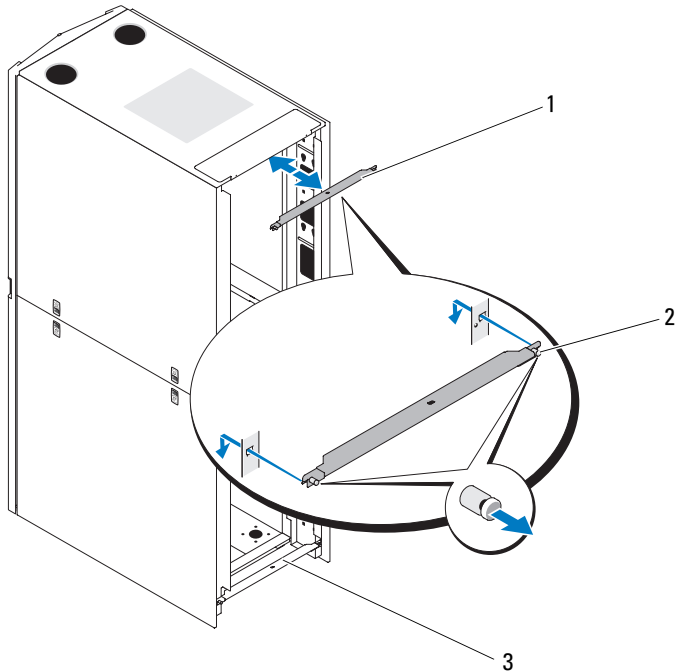
2 蝶ナット (2)

背面扉のスタビライザバーの取り外しと取り付け

ラックの上から下までの配線作業を容易にするために、背面扉の安定のために取り付けられている上下のバーを取り外すことができます。

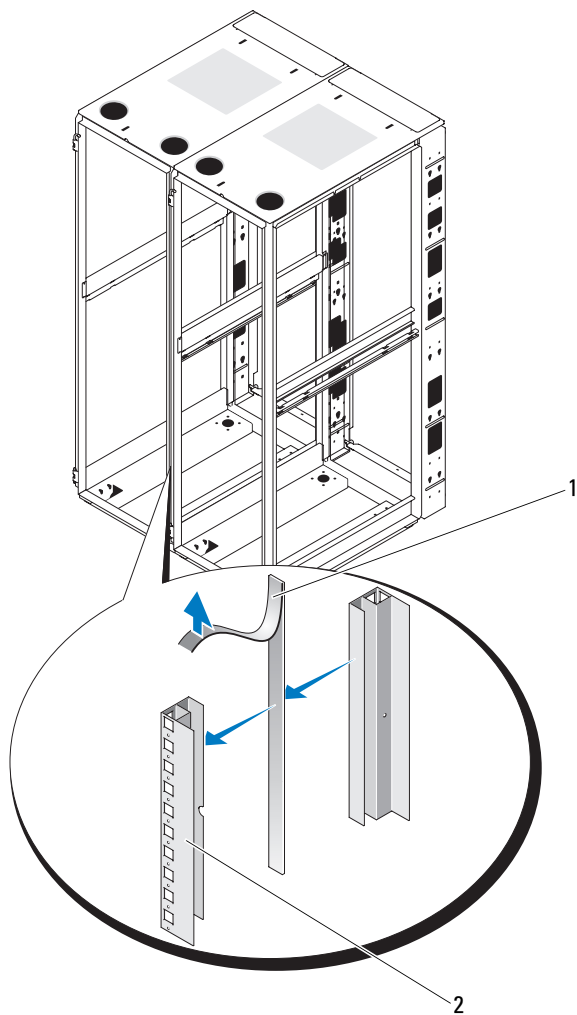
- 1 背面扉を開きます。
- 2 バーの両側にある各プランジャを引いた状態で、バーを引き上げてラックから取り外します（図 1-18 を参照）。
- 3 ケーブルを配線したら、バーを取り付けます。バーのタブをラックの対応する穴に合わせ、プランジャが所定の位置に固定されるまで、挿入して押し下げてください。

図 1-18. 背面扉のスタビライザバーの取り外しと取り付け



- 1 背面扉のスタビライザバー（上）
- 2 プランジャ（各バーに2）
- 3 背面扉のスタビライザバー（下）

図 1-20. ガスケットテープの貼り付け

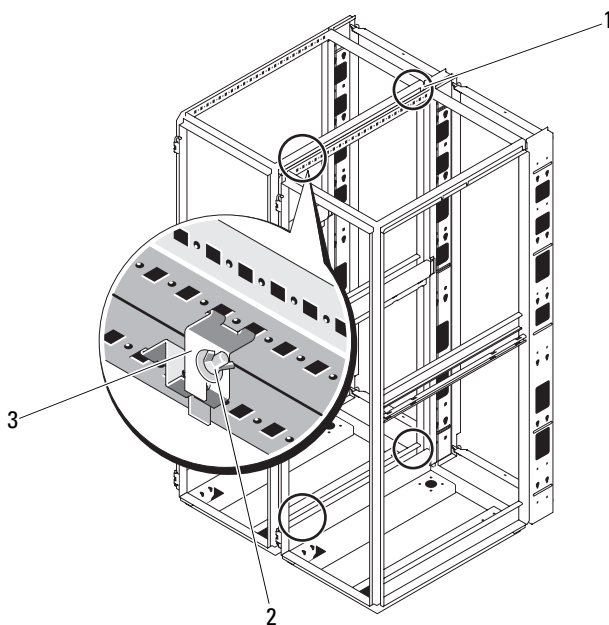


1 ガスケットテープ

2 ラックフレーム

- 5 連結ブラケットを取り付けます。
- a 2つのラックを隣り合わせに並べます。
 - b これらのラックが同一水平面上で互いに平行な位置にくるように、両方のラックの水平調節用の脚を調整します。手順については、135ページの「水平調節用の脚の調節」を参照してください。
 - c 連結ブラケットをラックに取り付けるには、ブラケットをラックポストの内側の角穴および隣接するラックポストの角穴に挿入し、蝶ナットで締めます（図 1-21 を参照）。

図 1-21. 2台のラックの連結



- 1 連結ブラケットの位置
- 2 蝶ナット
- 3 連結ブラケット (4)

Alojamiento para rack
Dell PowerEdge

Guía de instalación

Notas, precauciones y avisos



NOTA: Una NOTA proporciona información importante que le ayudará a utilizar mejor el ordenador.



PRECAUCIÓN: Un mensaje de PRECAUCIÓN indica la posibilidad de daños en el hardware o la pérdida de datos si no se siguen las instrucciones.



AVISO: Un mensaje de AVISO indica el riesgo de daños materiales, lesiones o incluso la muerte.

La información contenida en esta publicación puede modificarse sin previo aviso.

© 2010 Dell Inc. Todos los derechos reservados.

Queda estrictamente prohibida la reproducción de este material en cualquier forma sin la autorización por escrito de Dell Inc.

Marcas comerciales utilizadas en este texto: Dell™, el logotipo de DELL y PowerEdge™ son marcas comerciales de Dell Inc.

Otras marcas y otros nombres comerciales pueden utilizarse en esta publicación para hacer referencia a las entidades que los poseen o a sus productos. Dell Inc. renuncia a cualquier interés sobre la propiedad de marcas y nombres comerciales que no sean los suyos.

Contenido

Instrucciones de seguridad	151
SEGURIDAD: Montaje de sistemas en rack	151
Instrucciones de instalación del rack	152
Especificaciones del rack	152
Antes de comenzar	152
Tareas de instalación	153
Herramientas y material recomendados	154
Extracción y colocación de las puertas del rack	154
Extracción y colocación de los paneles laterales	158
Inversión de la puerta frontal (opcional)	163
Fijación de los pies niveladores del rack	170
Instalación de los pies estabilizadores del rack	172
Ajuste de los postes del rack (opcional)	174
Colocación de los cables	176
Acoplamiento de dos racks	181

Instrucciones de seguridad

Aplique las pautas de seguridad que se describen a continuación para garantizar su propia seguridad y proteger el sistema y el entorno de trabajo frente a posibles daños. Para obtener información completa sobre seguridad y normativas, consulte las instrucciones de seguridad que se entregan con el sistema. La información sobre la garantía puede estar incluida en este documento o constar en un documento aparte.

SEGURIDAD: Montaje de sistemas en rack

Tenga en cuenta las precauciones siguientes para garantizar la estabilidad y la seguridad del rack. Consulte también la documentación de instalación del rack incluida con el sistema y el rack para ver los procedimientos y la información de precaución.

Los sistemas se consideran componentes de un rack. “Componente” se refiere a cualquier sistema, así como a los distintos periféricos o hardware compatible.



PRECAUCIÓN: Instrucciones para sistemas montados en rack:

- El kit de rack se ha aprobado sólo para el armario rack suministrado. Es su responsabilidad asegurarse de que la instalación del equipo en cualquier otro rack cumpla todos los estándares correspondientes. Dell declina toda responsabilidad y garantía relacionadas con las combinaciones del equipo con cualquier otro rack.
- Antes de instalar el equipo en un rack, instale todos los estabilizadores frontales y laterales. Si no lo hace, el rack podría volcar.
- Cargue siempre el rack desde la parte inferior hacia arriba, colocando en primer lugar los elementos más pesados.
- No sobrecargue el circuito de la fuente de alimentación de CA que suministra energía al rack.
- No suba sobre ningún componente del rack ni lo utilice como escalón.

Instrucciones de instalación del rack

Esta guía de instalación contiene instrucciones dirigidas a técnicos de servicio especializados que instalan un alojamiento para rack. Se incluye información sobre el montaje del rack, el acoplamiento de dos racks y la colocación de los cables a través del rack. El rack se puede instalar mediante las herramientas recomendadas.

Antes de proceder a la instalación, debe leer atentamente todo este procedimiento.


Especificaciones del rack

 **PRECAUCIÓN:** Este rack cumple las especificaciones de ANSI, EIA/CEA-310-E, IEC 60297-3-100 y DIN 41494.


Antes de comenzar

 **AVISO:** Antes de empezar a instalar el rack, lea detenidamente la sección “Información de seguridad importante”, así como las instrucciones de seguridad que se entregan con el rack.

 **AVISO:** Cuando instale varios sistemas en un rack, realice todos los procedimientos para el sistema actual antes de instalar el sistema siguiente.


 **AVISO:** Los armarios rack pueden ser muy pesados, pero se mueven con facilidad gracias a las ruedas. El armario no tiene frenos. Tenga mucho cuidado al mover el armario rack. Cuando traslade el armario rack, contraiga primero los pies niveladores. Evite inclinaciones largas o pronunciadas, superficies irregulares o rampas para evitar perder el control del armario. Extienda los pies niveladores como apoyo y para evitar que el armario se desplace.

 **AVISO:** Evite desplazar el armario rack sobre superficies irregulares. Las ruedas pueden romperse si reciben golpes fuertes, lo cual puede desestabilizar el rack y hacerlo volcar.


 **AVISO:** No intente mover el rack con componentes instalados. Si mueve un rack cargado por completo sobre una superficie ligeramente irregular, el rack puede desestabilizarse y volcar.


Información de seguridad importante

Cuando instale el sistema en el rack, tenga en cuenta las precauciones de seguridad que se indican en los apartados siguientes.

 **AVISO:** Debe seguir estrictamente los procedimientos que se explican en este documento para protegerse a sí mismo y a otras personas que puedan verse involucradas. El sistema puede tener un tamaño y un peso considerables, por lo que la preparación y la planificación adecuadas son importantes para evitar daños personales a uno mismo y a terceros. Esto es aún más importante cuando los sistemas se montan en la parte superior del rack.

Pies estabilizadores del rack

 **AVISO:** Antes de instalar sistemas en un rack, instale los estabilizadores frontales y laterales en racks individuales, o bien el estabilizador frontal en racks unidos a otros racks. Si no se instalan los estabilizadores antes de realizar el montaje de los sistemas, el rack podría volcar y llegar a causar daños personales en determinadas circunstancias. Por lo tanto, instale siempre los estabilizadores antes de instalar los componentes en el rack.

 **AVISO:** Una vez que haya instalado sistemas en un rack, no extraiga nunca del rack más de un sistema a la vez por sus conjuntos deslizantes. El peso de más de un sistema extendido podría hacer volcar el rack y provocar daños personales.

Los pies estabilizadores impiden que el rack vuelque cuando se extrae un sistema u otro componente del rack con los conjuntos deslizantes completamente extendidos.

Tareas de instalación

La instalación de un armario rack implica las tareas siguientes:

- 1 Extracción y colocación de las puertas del rack
- 2 Extracción y colocación de los paneles laterales
- 3 Inversión de la puerta frontal y la placa de identificación (opcional)
- 4 Fijación de los pies niveladores
- 5 Instalación de los pies estabilizadores
- 6 Ajuste de los postes del rack (opcional)
- 7 Colocación de los cables a través del rack
- 8 Acoplamiento de dos racks (opcional)

Herramientas y material recomendados

Puede necesitar las herramientas y el material siguientes para instalar el rack:

- Destornillador Phillips del n.º 2
- Destornillador de cabeza plana
- Llave de 12 mm
- Alicates de punta fina
- Llave Allen de 4 mm (si desea invertir la dirección de apertura de la puerta frontal)
- Llaves para las puertas del rack y los paneles laterales
- Llave de 13 mm (para extraer el rack del palé)
- Llave de 17 mm (para extraer el rack del palé)

Extracción y colocación de las puertas del rack



AVISO: Debido al tamaño y al peso de las puertas del armario rack, no intente nunca extraerlas ni instalarlas sin la ayuda de otra persona.



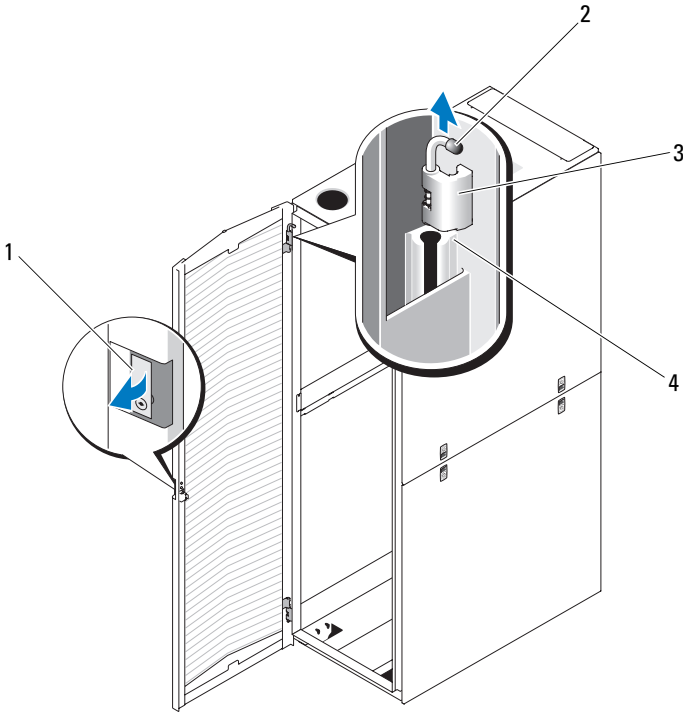
AVISO: Al guardar las puertas, colóquelas en posición horizontal de modo que no caigan y lesionen a alguien accidentalmente.

Extracción de la puerta frontal

- 1 Tire del pestillo de la puerta y abra completamente la puerta frontal (vea la ilustración 1-1).
- 2 Mientras sujeta la puerta, tire hacia arriba del pasador hasta que salga del herraje fijo de la puerta (vea la ilustración 1-1).

El gancho de retención del pasador evita que la bisagra se extraiga del herraje móvil.

Ilustración 1-1. Extracción de la puerta frontal



- | | | | |
|---|-----------------------|---|--------------|
| 1 | Pestillo de la puerta | 2 | Pasador |
| 3 | Herraje móvil | 4 | Herraje fijo |

3 Mientras mantiene el pasador fuera del herraje fijo de la puerta, separe ligeramente la puerta del rack para que salga del herraje móvil.

4 Libere el pasador.

5 Levante la puerta para que salga del pernio inferior.

! **AVISO: Debido al tamaño y al peso de la puerta, se recomienda colocar la puerta que ha extraído en posición horizontal con la superficie exterior boca arriba.**

6 Coloque la puerta en un lugar seguro con la superficie exterior boca arriba para evitar que se produzcan daños en la placa de identificación y en el revestimiento decorativo.

Colocación de la puerta frontal

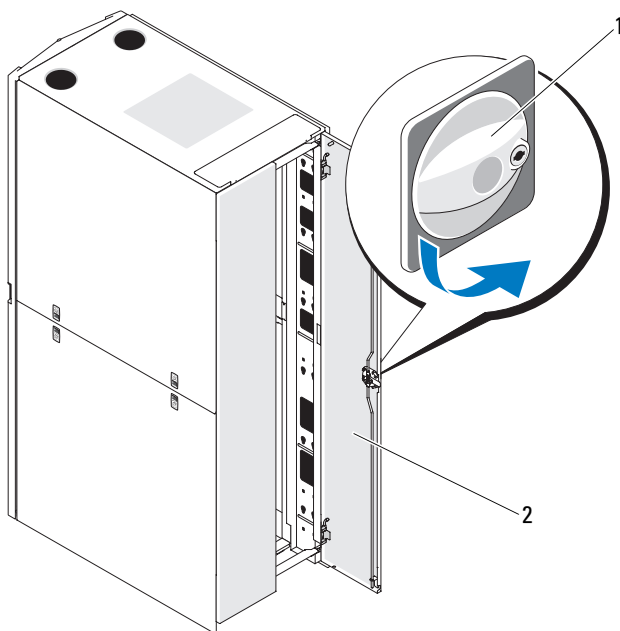
Para volver a colocar la puerta frontal, realice los mismos pasos que para extraerla pero en el orden inverso.

Apertura y extracción de las puertas posteriores

! **AVISO:** Debido al tamaño y al peso de las puertas del armario rack, no intente nunca extraerlas ni instalarlas sin la ayuda de otra persona.

- 1 Gire el pomo de la puerta y abra las puertas posteriores (vea la ilustración 1-2).

Ilustración 1-2. Apertura de las puertas posteriores



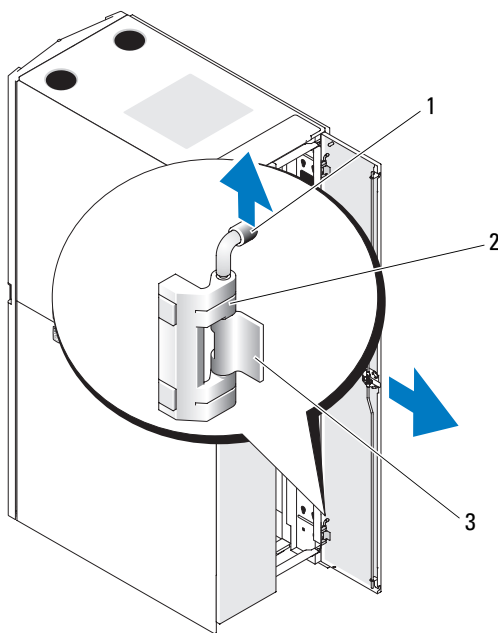
1 Pomo de la puerta

2 Puerta posterior (2)

- 2 Extraiga la puerta posterior derecha.
 - a Mientras sujeta la puerta, tire del pasador de la bisagra superior para extraerlo del herraje fijo de la puerta (vea la ilustración 1-3).

Oirá un chasquido al extraer el pasador del herraje fijo de la puerta. Los pasadores se han diseñado para evitar que se extraigan del herraje móvil.
 - b Repita el paso a para la bisagra inferior.
 - c Tire de la puerta para extraerla del rack.

Ilustración 1-3. Extracción de las puertas posteriores



- 1 Pasador
- 3 Herraje fijo

- 2 Herraje móvil



AVISO: Debido al tamaño y al peso de la puerta, se recomienda colocar la puerta que ha extraído en posición horizontal con la superficie exterior boca arriba.

- d Coloque la puerta en un lugar seguro con la superficie exterior boca arriba.

Al colocar la puerta en posición horizontal con la superficie exterior boca arriba, se evita que se produzcan daños en el revestimiento decorativo.

- e Repita del paso a al paso d para la puerta posterior izquierda.

Colocación de las puertas posteriores

Para volver a colocar las puertas posteriores, realice los mismos pasos que para extraerlas pero en el orden inverso.

Extracción y colocación de los paneles laterales



PRECAUCIÓN: Para los racks independientes, es necesario reinstalar los paneles laterales antes de utilizar sistemas en el rack para garantizar una refrigeración correcta.



NOTA: Debe extraer los paneles laterales inferiores para instalar los pies estabilizadores laterales.



NOTA: Si bien no es obligatorio extraer los paneles laterales para instalar sistemas en un rack, el hecho de que los laterales estén abiertos facilita la instalación de conjuntos deslizantes y rieles de soporte, así como la inversión de la dirección de apertura de la puerta frontal.

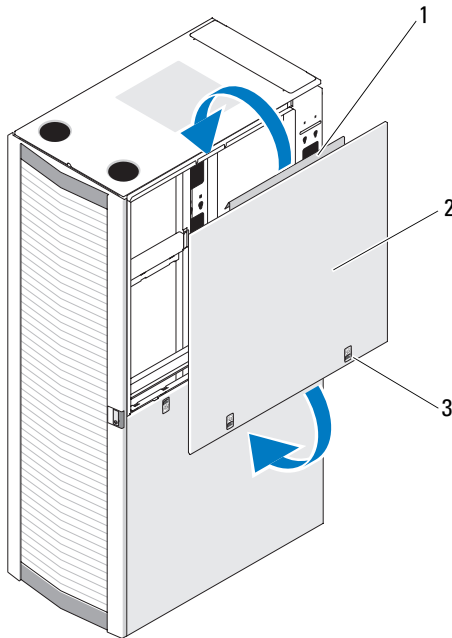
Extracción de los paneles laterales superiores

- 1 Empuje los dos pestillos hacia arriba y separe del rack el extremo inferior del panel (vea la ilustración 1-4).
- 2 Sujete firmemente los dos laterales del panel.
- 3 Levante el panel hasta que la pestaña salga de la parte superior del rack.
- 4 Coloque el panel en un lugar seguro con la superficie exterior boca arriba para evitar que se produzcan daños en el revestimiento decorativo.
- 5 Repita del paso 1 al paso 4 para el otro panel lateral superior.

Colocación de los paneles laterales superiores

- 1 Levante el panel lateral superior y colóquelo en el rack; para ello, enganche la pestaña del panel sobre la parte superior del rack (vea la ilustración 1-4).
- 2 Mueva la parte inferior del panel hacia abajo para insertarla en el rack.
- 3 Presione el panel en el rack hasta que los dos pestillos encajen en su lugar.

Ilustración 1-4. Colocación de los paneles laterales superiores



- 1 Pestaña del panel
- 3 Pestillos (2)

- 2 Panel lateral superior (2)

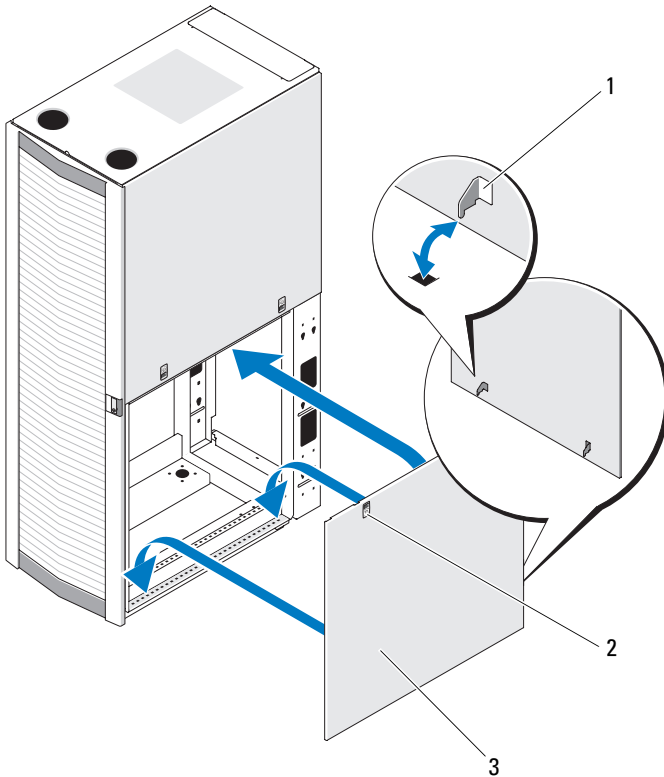
Extracción de los paneles laterales inferiores

- 1** Tire de los dos pestillos hacia abajo y deje que el panel lateral se separe ligeramente por la parte superior.
- 2** Sujete firmemente los dos laterales del panel.
- 3** Levante el panel hasta que los ganchos salgan de los orificios situados en la parte inferior del armazón del rack.
- 4** Coloque el panel en un lugar seguro con la superficie exterior boca arriba para evitar que se produzcan daños en el revestimiento decorativo.
- 5** Repita del paso 1 al paso 4 para el otro panel lateral inferior.

Colocación de los paneles laterales inferiores

- 1** Coloque el panel en el rack; para ello, inserte el gancho del panel posterior en el orificio posterior de la parte inferior del armazón del rack y el gancho frontal en el orificio correspondiente de la parte frontal del armazón del rack (vea la ilustración 1-5).
- 2** Mueva el extremo superior del panel hacia el rack.
- 3** Presione el panel en el rack hasta que los dos pestillos encajen en su lugar.

Ilustración 1-5. Colocación de los paneles laterales inferiores



1 Gancho del panel (2)

2 Pestillo (2)

3 Panel lateral inferior (2)



NOTA: Los procedimientos siguientes se aplican únicamente a racks de profundidad extra.

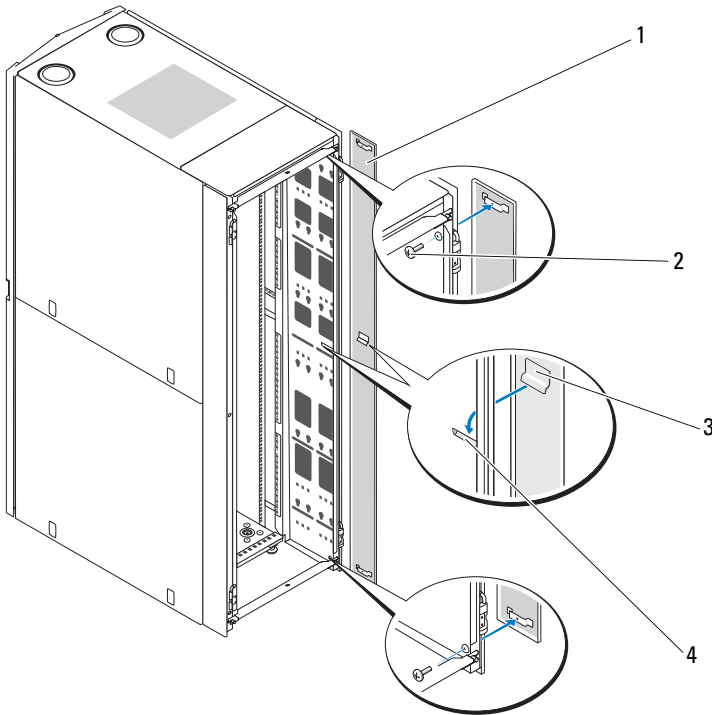
Extracción del panel lateral posterior

- 1 Quite los tornillos (2) que sujetan el panel lateral posterior desde dentro del rack.
- 2 Levante el panel lateral posterior y extráigalo del rack.

Colocación del panel lateral posterior

- 1 Inserte el soporte de alineamiento de la parte central del panel posterior dentro de la ranura de la bandeja para PDU del rack.
- 2 Coloque tornillos en la parte superior e inferior para fijar el panel lateral posterior.

Ilustración 1-6. Colocación de los paneles laterales posteriores



- | | | | |
|---|-------------------------|---|-------------------------------|
| 1 | Panel lateral posterior | 2 | Tornillo (2) |
| 3 | Soporte de alineamiento | 4 | Ranura de la bandeja para PDU |

Inversión de la puerta frontal (opcional)

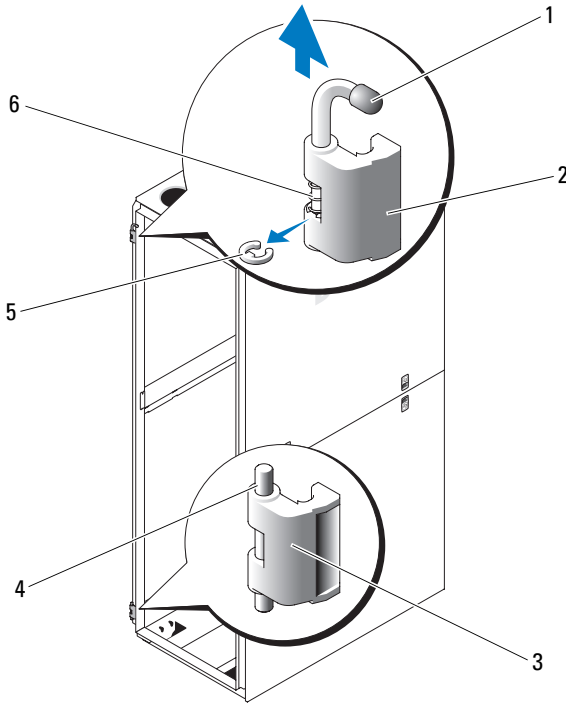


NOTA: Utilice una llave Allen de 4 mm para extraer del rack los herrajes móviles de la puerta frontal y para volver a instalarlos en el lado opuesto a como estaban originalmente. Es posible que necesite una escalera de mano para acceder al perno Allen que fija el herraje móvil superior al rack.

Para invertir la dirección de apertura de la puerta frontal, realice los pasos siguientes:

- 1** Extraiga la puerta frontal (consulte “Extracción de la puerta frontal” en la página 154).
- 2** Extraiga los paneles laterales (consulte “Extracción y colocación de los paneles laterales” en la página 158).
- 3** Invierta el herraje móvil superior.
 - a** Tire del pasador ligeramente hacia arriba para que pueda acceder al gancho de retención (vea la ilustración 1-7).
 - b** Con los alicates de punta fina, extraiga el gancho de retención y deslice el pasador para extraerlo del herraje móvil.

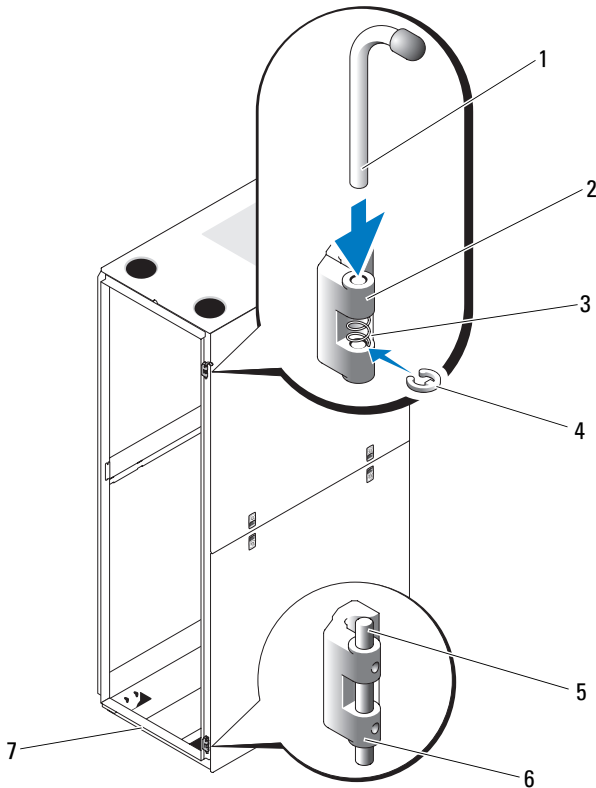
Ilustración 1-7. Extracción de las bisagras de la puerta frontal



- | | |
|-----------------------|----------------------|
| 1 Pasador | 2 Bisagra superior |
| 3 Bisagra inferior | 4 Pernio |
| 5 Gancho de retención | 6 Muelle del herraje |

- c** Extraiga el muelle de la bisagra del herraje móvil.
- d** Coloque el pasador, el gancho de retención y el muelle en un lugar seguro.
- e** Con la llave Allen de 4 mm, extraiga los pernos Allen que fijan el herraje móvil al rack y colóquelos en el mismo lugar que el pasador, el gancho de retención y el muelle del herraje.
- f** Gire el herraje móvil 180 grados para que los orificios del pasador queden en el lado derecho del herraje móvil (vea la ilustración 1-8).

Ilustración 1-8. Inversión de las bisagras superiores e inferiores

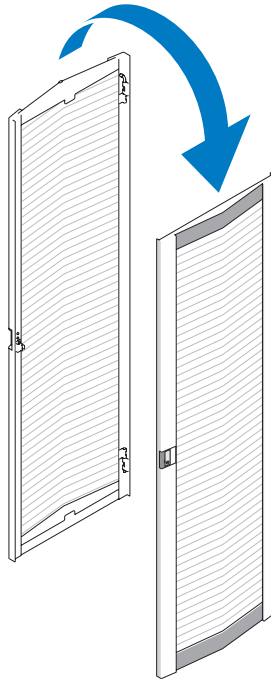


- | | |
|--------------------------|--------------------------|
| 1 Pasador | 2 Herraje móvil superior |
| 3 Muelle | 4 Gancho de retención |
| 5 Pernio | 6 Herraje móvil inferior |
| 7 Parte frontal del rack | |

- g** Localice los orificios de los pernos superiores situados en el lateral derecho del rack y apriete el herraje móvil en el lateral derecho del rack con los pernos Allen.
- h** Inserte el muelle entre los orificios del pasador superior e inferior situados en el herraje móvil inferior.

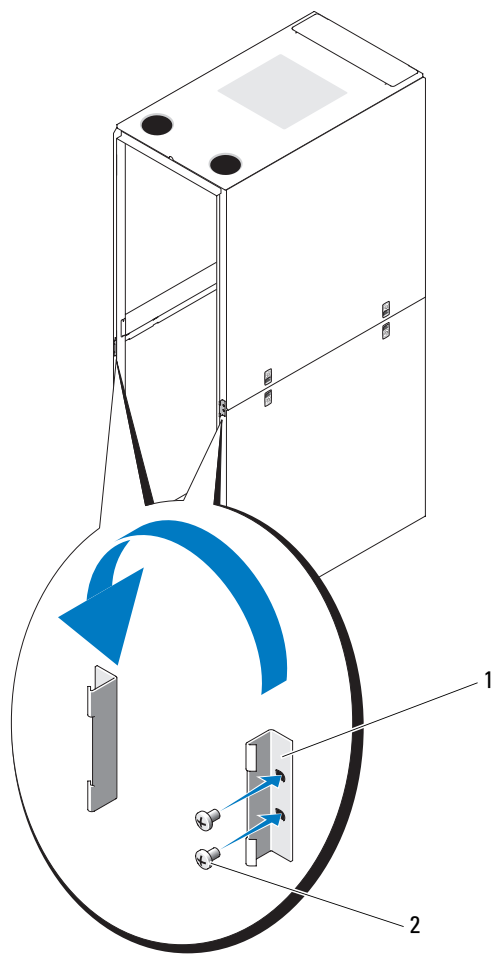
- i** Inserte el pasador en el herraje móvil.
 - j** Inserte el gancho de retención en la bisagra de modo que el gancho quede debajo del muelle.
- 4** Invierta el herraje móvil inferior.
- a** Extraiga los pernos Allen que fijan el herraje móvil al rack y colóquelos en un lugar seguro.
 - b** Gire el herraje móvil 180 grados para que los pernos queden en el lado contrario del herraje móvil (vea la ilustración 1-8).
 - c** Localice los orificios de los pernos inferiores situados en el lateral derecho del rack y utilice los pernos Allen para apretar el herraje móvil en el lateral derecho del rack.
- 5** Gire la puerta frontal 180 grados para que los herrajes fijos queden en el lado derecho (vea la ilustración 1-9).

Ilustración 1-9. Giro de la puerta frontal



- 6** Vuelva a colocar la puerta frontal realizando los pasos descritos en “Extracción de la puerta frontal” en la página 154 en el orden inverso.
- 7** Invierta el cerradero.
 - a** Desenrosque los dos tornillos Phillips que fijan el cerradero a la jamba.
 - b** Extraiga el cerradero y gírelo 180 grados.
 - c** Vuelva a instalar el cerradero en la otra jamba frontal del rack; para ello, alinee los orificios del cerradero con los orificios de la jamba y, a continuación, vuelva a insertar los dos tornillos Phillips.
Vea la ilustración 1-10.

Ilustración 1-10. Inversión del cerradero de la puerta frontal

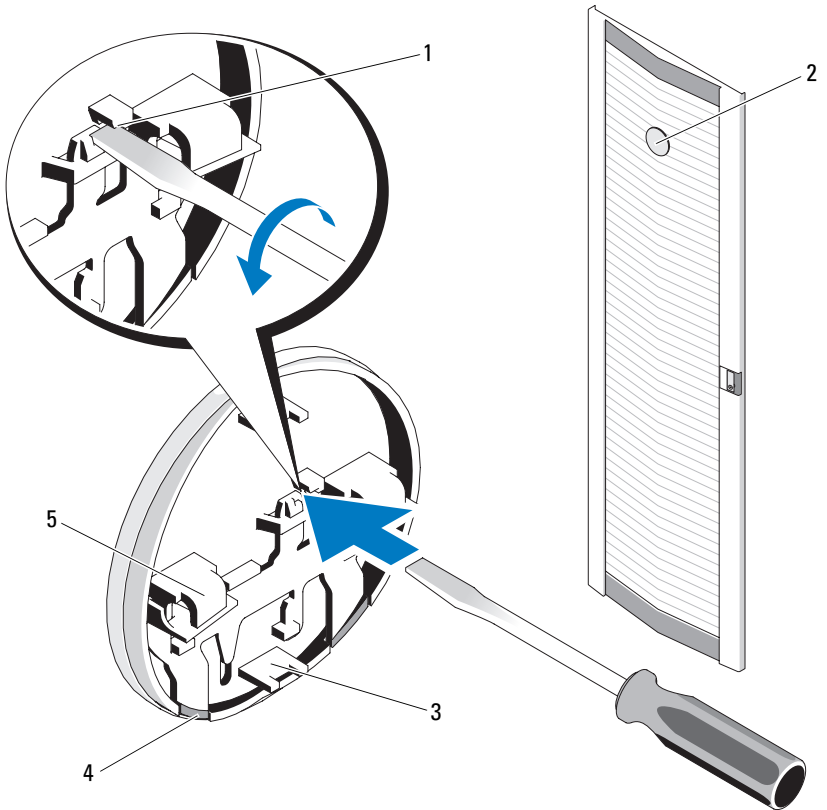


1 Cerradero

2 Tornillos

- 8 Invierta la placa de identificación de la puerta frontal.
 - a Abra la puerta frontal.
 - b Desde el interior de la puerta, inserte un destornillador de cabeza plana en la lengüeta de liberación de la placa de identificación (vea la ilustración 1-11).

Ilustración 1-11. Inversión de la placa de identificación de la puerta frontal




- | | |
|--|---|
| 1 Lengüeta de liberación de la placa de identificación | 2 Placa de identificación de la puerta frontal |
| 3 Lengüeta central (2) | 4 Gancho de retención de la placa de identificación (2) |
| 5 Gancho de la placa de identificación (2) | |


- c Inserte el destornillador en la lengüeta hasta que se detenga y gírelo en el sentido contrario a las agujas del reloj.
- d Levante la placa de identificación y extráigala de la puerta.
- e Gire la placa de identificación 180 grados para que se lea correctamente cuando esté instalada.
- f Localice la sexta barra horizontal de la parte superior de la puerta y deslice los ganchos de la placa de identificación sobre ella; para ello, alinee las lengüetas centrales de la placa de identificación con la barra vertical de la puerta.
- g Levante los ganchos de retención de la placa de identificación hasta que queden cerrados y la placa esté fijada.


Fijación de los pies niveladores del rack


 **AVISO:** Antes de ajustar los pies niveladores, lea todas las instrucciones que figuran a continuación.

El rack incluye cuatro pies niveladores, que se montan en las esquinas del rack. Los pies niveladores sirven para mantener el rack en posición vertical y nivelada cuando éste se encuentra en un suelo cuya superficie es ligeramente irregular. Antes de instalar los sistemas en el rack, instale y ajuste los pies niveladores. Al nivelar el rack, siga las pautas que se indican a continuación.

 **AVISO:** Cuando ajuste los pies niveladores, asegúrese de que la distancia entre el suelo y las ruedas de cada esquina del rack no sea superior a 9,5 mm. Si quedan más de 9,5 mm de espacio libre entre el suelo y las ruedas al ajustar los pies niveladores, contraiga *lentamente* los pies niveladores y, a continuación, traslade el rack a otro lugar que requiera ajustes mínimos en los pies niveladores.

 **AVISO:** Ajuste los pies niveladores de forma que cada pie quede apoyado firmemente sobre el suelo. El contacto correcto con el suelo garantiza que cada pie nivelador aguante el peso del rack y evita que el rack se balancee en cualquier dirección. Si los pies niveladores no tienen un contacto firme con el suelo, el rack puede quedar inestable y volcar.

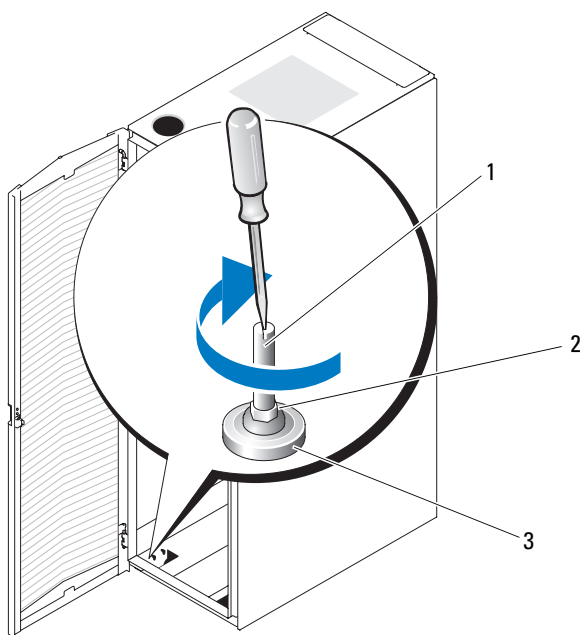
 **AVISO:** No intente trasladar el rack con los pies niveladores instalados. Antes de trasladar el rack, contraiga siempre los pies niveladores. Si traslada el rack mientras los pies niveladores están instalados, éste puede volcar.

 **AVISO:** Antes de instalar los sistemas, nivele siempre el rack e instale los pies estabilizadores. Es posible que un rack cargado por completo vuelque si se encuentra en un suelo cuya superficie es irregular y los pies niveladores y estabilizadores no aguantan el peso del rack.

NOTA: Si el rack no está nivelado correctamente, es posible que no pueda instalar los pies estabilizadores, que son necesarios para evitar que el rack vuelque.

- 1 Con un destornillador, baje el pie nivelador hasta que quede apoyado en el suelo.
- 2 Si necesita bajar más el pie, apriete la tuerca hexagonal en el sentido de las agujas del reloj con una llave de 12 mm (vea la ilustración 1-12).
- 3 Repita los pasos 1 y 2 para los demás niveladores.
- 4 Asegúrese de que el rack está nivelado.


Ilustración 1-12. Ajuste de los pies niveladores



- 1 Vástago del pie estabilizador
3 Base

- 2 Tuerca hexagonal

Instalación de los pies estabilizadores del rack

 **AVISO:** Si se montan sistemas en un rack sin haber instalado los pies estabilizadores frontales y laterales, el rack podría volcar y llegar a causar daños personales en determinadas circunstancias. Por lo tanto, instale siempre los pies estabilizadores antes de instalar los componentes en el rack.

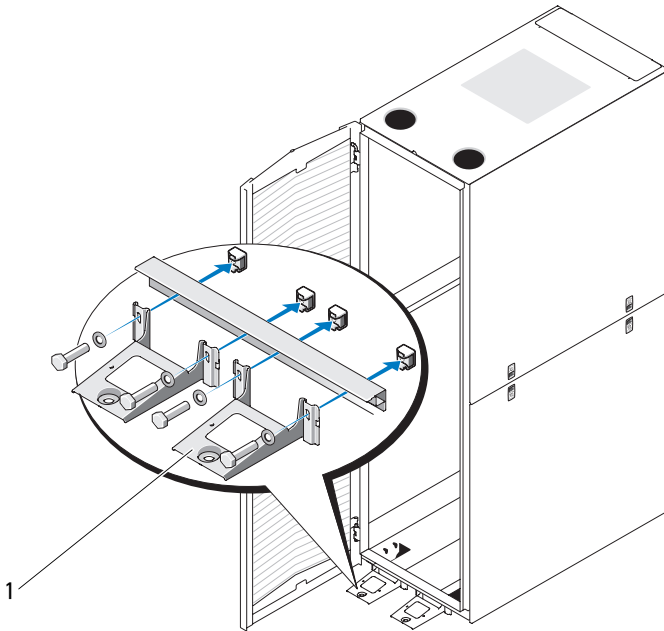
Instale los pies estabilizadores en el rack de la manera siguiente:

- Instale los pies estabilizadores frontales y laterales en un rack independiente.
- Instale los pies estabilizadores frontales en todos los racks de un conjunto y los pies estabilizadores izquierdos o derechos en los racks de ambos extremos de un conjunto.

Instalación de los pies estabilizadores frontales

- 1 Abra la puerta frontal.
- 2 Tire firmemente de los estabilizadores para separarlos del armazón.
- 3 Extraiga los fijadores de plástico instalados en los pies estabilizadores.
- 4 Coloque cada pie estabilizador frontal contra la base del armazón del rack y alinee sus orificios con los orificios correspondientes del armazón.
- 5 Utilice los pernos, las arandelas y las tuercas prisioneras suministradas para fijar los pies al rack tal como se muestra en la ilustración 1-13.

Ilustración 1-13. Instalación de los pies estabilizadores frontales

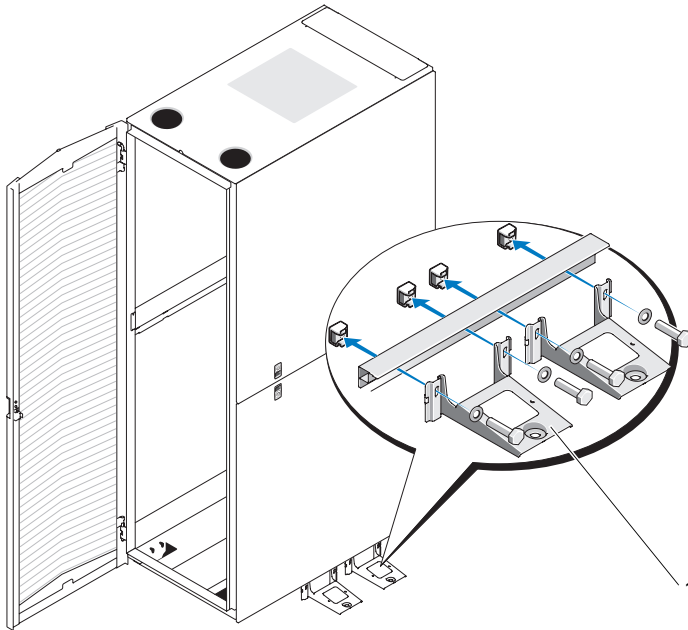


- 1 Pie estabilizador frontal (2)

Instalación de los pies estabilizadores laterales

- 1 Extraiga los paneles laterales inferiores (consulte “Extracción de los paneles laterales inferiores” en la página 160).
- 2 Localice los cuatro orificios en el lateral del riel inferior del armazón del rack (vea la ilustración 1-14).
- 3 Coloque cada pie estabilizador contra la base del armazón del rack y alinee sus orificios con los orificios correspondientes del armazón.

Ilustración 1-14. Instalación de los pies estabilizadores laterales



- 1 Pie estabilizador lateral (2 por lado)

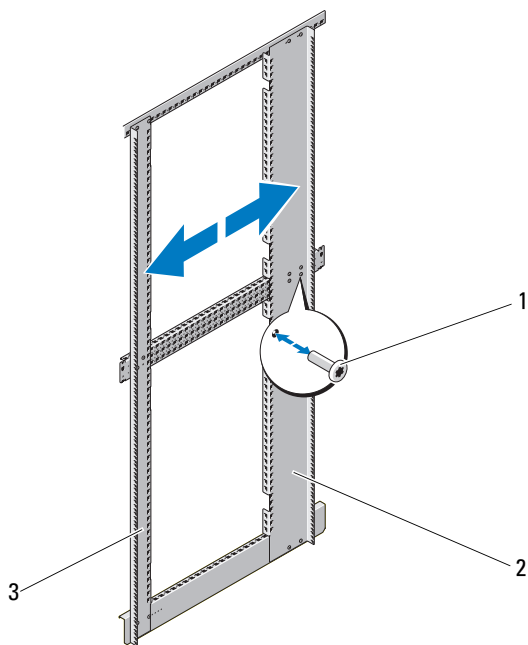
- 4 Utilice los pernos, las arandelas y las tuercas prisioneras suministradas para fijar los pies al rack tal como se muestra en la ilustración 1-14.

Ajuste de los postes del rack (opcional)

Es posible ajustar la posición de los postes del rack para alojar sistemas con diferentes profundidades.

- 1 Abra las puertas del rack.
- 2 Quite los tornillos de la parte inferior, central y superior del poste (vea la ilustración 1-15).
- 3 Mueva el poste a la ubicación que desea dentro del lateral del rack y vuelva a colocar los tornillos en los orificios correspondientes.

Ilustración 1-15. Ajuste de los postes del rack



1 Tornillos

2 Poste posterior del rack

3 Poste frontal del rack



NOTA: A menos que deba acoplar dos o más racks, ahora ya puede instalar los sistemas en el rack. Consulte las etiquetas blancas numeradas situadas en la parte frontal y posterior de los rieles de montaje del rack para obtener información sobre cómo instalar componentes en el rack.

Colocación de los cables

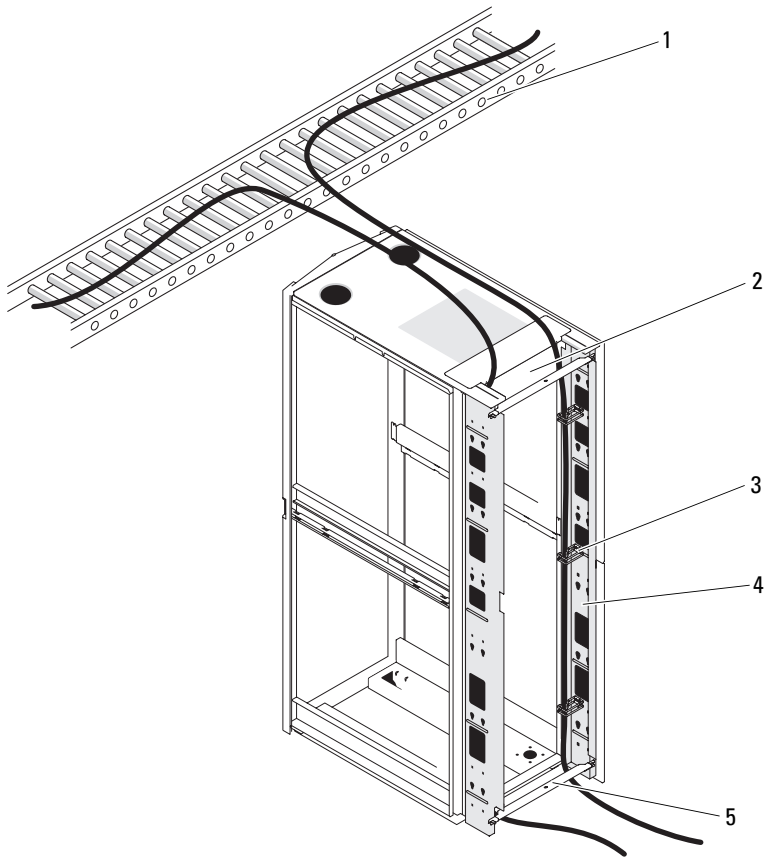
El rack de 48 U incorpora diversas características que simplifican la colocación de los cables (vea la ilustración 1-16).

- Los canales de unidad de distribución de alimentación (PDU) en cada superficie del rack permiten colocar los cables de alimentación en los sistemas montados en el rack.
- Pueden montarse seguros para cables en los canales PDU para que los cables queden fuera del paso y para evitar que se enreden.

En una configuración estándar, puede sacar del rack los cables de dos modos:

- Mediante la salida de cables situada en la parte inferior de las puertas posteriores (vea la ilustración 1-16).
- Mediante la ranura ajustable para cables situada en la parte superior del rack y en una bandeja (vea la ilustración 1-16).

Ilustración 1-16. Opciones de colocación de los cables



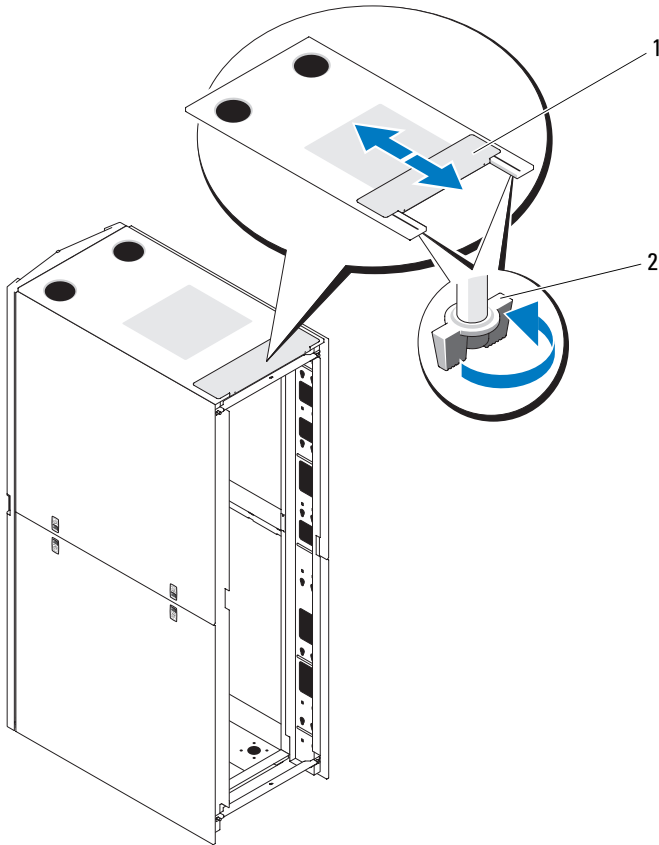
- | | | | |
|---|---------------------------|---|-----------------------------|
| 1 | Bandeja | 2 | Ranura superior para cables |
| 3 | Seguros para cables | 4 | Canales PDU (2 por lateral) |
| 5 | Salida inferior de cables | | |

Apertura y cierre de la ranura superior para cables

La ranura superior para cables del rack se puede utilizar para colocar los cables hasta una bandeja.

- 1** Abra las puertas posteriores.
- 2** Afloje las palomillas que se encuentran debajo de la cubierta de la ranura para cables (vea la ilustración 1-17).
- 3** Deslice la cubierta de la ranura para cables hacia la parte frontal del rack.
- 4** Tras pasar los cables por la parte superior del rack, cierre los huecos que queden en la ranura para cables; para ello, tire de la cubierta de la ranura hacia la parte posterior del rack. Utilice las palomillas para fijar la cubierta.

Ilustración 1-17. Apertura y cierre de la ranura superior para cables



- 1 Cubierta de la ranura para cables 2 Palomilla (2)

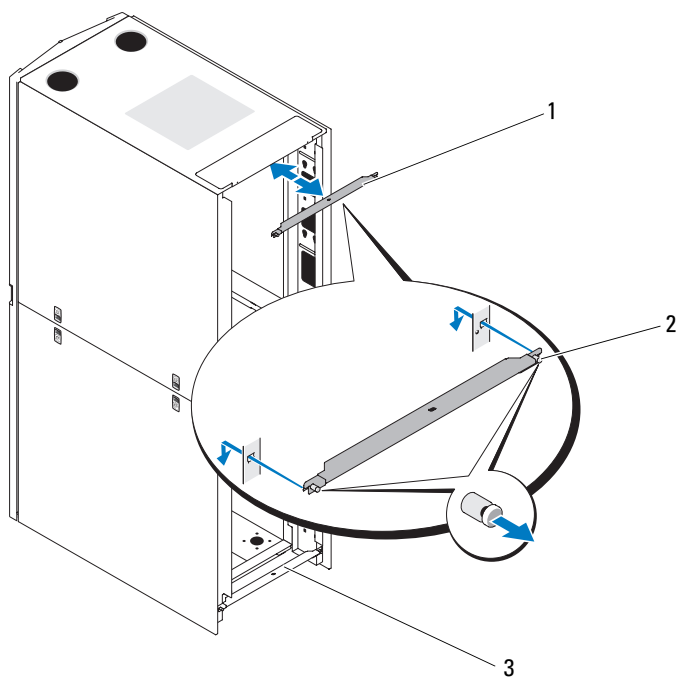
Extracción e instalación de las barras estabilizadoras de las puertas posteriores

Es posible extraer las barras superiores e inferiores que se utilizan para estabilizar las puertas posteriores, lo que facilita la colocación de los cables en la parte superior e inferior del rack.

- 1 Abra las puertas posteriores.

- 2 Tire de los fiadores situados en cada lateral de la barra y manténgalos en esa posición y, a continuación, levante la barra y extraígalas del rack (vea la ilustración 1-18).
- 3 Tras pasar los cables, vuelva a colocar las barras; para ello, alinee las lengüetas de las barras con los orificios correspondientes del rack y presione los fiadores hacia abajo hasta que queden asentados en su lugar.

Ilustración 1-18. Extracción e instalación de las barras estabilizadoras de las puertas posteriores



- | | | | |
|---|--|---|----------------------|
| 1 | Barra estabilizadora de las puertas posteriores (barra superior) | 2 | Fiador (2 por barra) |
| 3 | Barra estabilizadora de las puertas posteriores (barra inferior) | | |

Acoplamiento de dos racks

⚠ AVISO: Debido al tamaño y al peso de los armarios rack, no intente nunca acoplarlos sin la ayuda de otra persona.

- 1 Desembale e instale los dos racks.
- 2 Desembale el kit de acoplamiento, que se muestra en la ilustración 1-19.
El contenido del kit de acoplamiento de racks incluye:
 - Un burlete
 - Cuatro soportes de acoplamiento

Ilustración 1-19. Kit de acoplamiento de racks



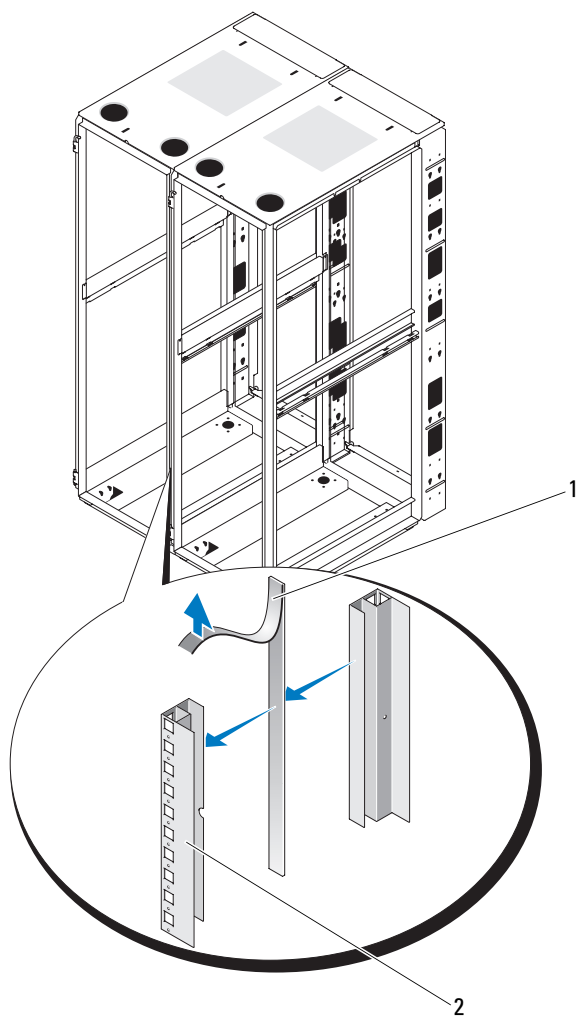
1 Burlete

2 Soporte de acoplamiento (4)

- 3 Extraiga las puertas y los paneles laterales de ambos racks. Consulte “Extracción de la puerta frontal” en la página 155, “Apertura y extracción de las puertas posteriores” en la página 156 y “Extracción y colocación de los paneles laterales” en la página 158.
- 4 Corte y coloque un trozo del burlete, con el revestimiento protector extraído, en uno de los racks por la superficie del armazón que estará en contacto con el rack adyacente (vea la ilustración 1-20).

✍ NOTA: No importa el rack en el que coloque los fragmentos del burlete, siempre que protejan los dos racks para que no se rayen.

Ilustración 1-20. Colocación del burlete

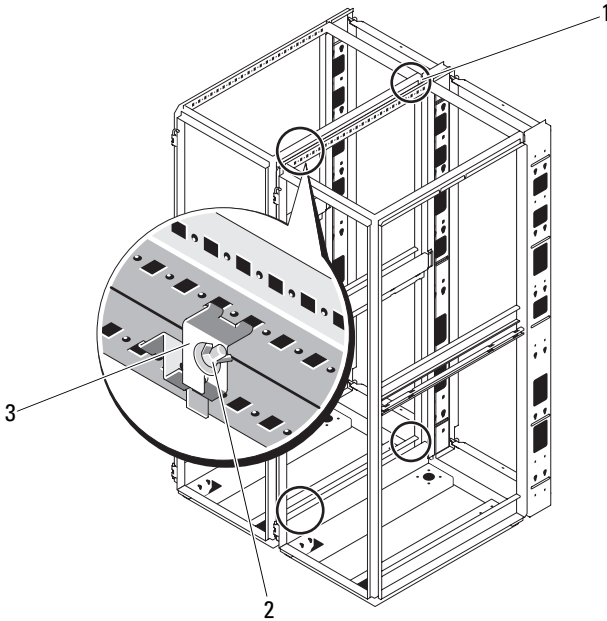


1 Burlete

2 Armazón del rack

- 5** Instale los soportes de acoplamiento.
- a** Coloque los dos racks uno al lado del otro.
 - b** Ajuste los pies niveladores de los dos racks para que los racks queden en paralelo y en el mismo plano horizontal. Para obtener instrucciones, consulte “Ajuste de los pies niveladores” en la página 171.
 - c** Para instalar los soportes de acoplamiento en los racks, enganche los soportes en los orificios cuadrados interiores y adyacentes a los postes del rack y apriete los soportes mediante las palomillas (vea la ilustración 1-21).

Ilustración 1-21. Acoplamiento de dos racks



- 1** Ubicaciones de los soportes de acoplamiento
- 2** Palomilla
- 3** Soporte de acoplamiento (4)

